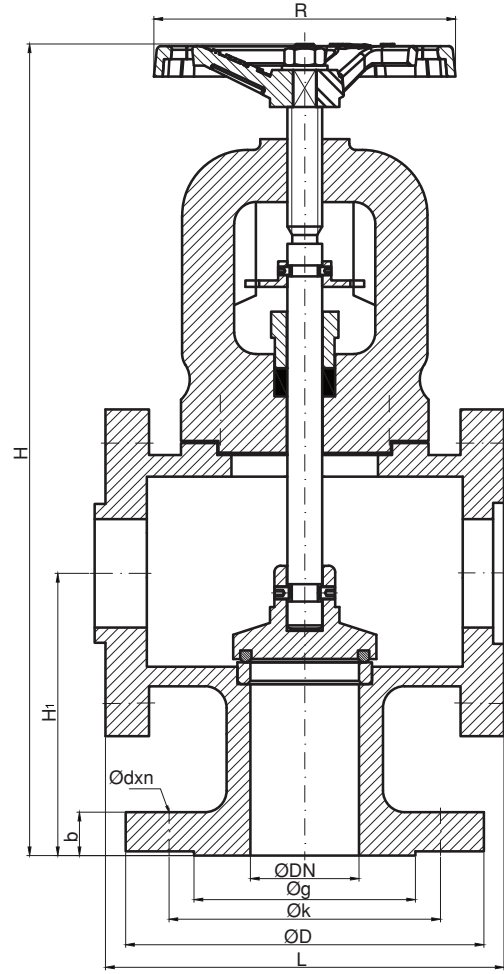


Kollektör Vanası / Valve Chest



NO	PARÇA ADI	PART NAME	MATERIAL	NO	PARÇA ADI	PART NAME	MATERIAL
1	GÖVDE	BODY	GGG40.3/BRONZE	8	SETSKUR	SCREW	304
2	SİT	SEAT	RG5 / 304	9	SALMASTRA	PACKING	GRAFİT
3	MİL	STEM	SS420/BRASS	10	GLEN	GLAND	GGG40.3 / BRONZE
4	İNDİKATÖR	INDICATOR	ST37	11	T CİVATA	T BOLT	6.8 STEEL
5	KAPAK	BONNET	GGG40.3 / BRONZE	12	CİVATA	BOLT	8.8 STEEL
6	KLAPE	DISC	RG5/SS420	13	HENDİL	HANDWHEEL	GG25/BRONZE
7	CONTA	GASKET	KLINGRIT	14	SOMUN & PUL	NUT&WASHER	STEEL

DN	ØD	Øk	Øg	L	b	ØR	H	H ₁	STROK	Ødxn	GÖ. KG	FL. KG
50	165	125	102	183	20	160	380	130	18	18x4	17,5	13
65	185	145	122	202	20	160	420	147,5	20	18x4	23	16,5
80	200	160	138	220	22	180	480	150	25	18x8	28,5	18
100	220	180	158	300	24	220	495	160	30	18x8	50	23
125	250	210	188	295	26	250	540	182	32	18x8	50	34

UYGULAMA ALANLARI / APPLICATIONS

DENİZ SUYU, TATLI SU, YAĞ VE 120°C KADAR BUHAR DEVRELERİ
SEA WATER, FRESH WATER, OIL AND STEAM UP TO 120°C SYSTEMS

2 ADET BAĞLANTI FLANŞI İLE VERİLİR / WITH 2 OUTLET CONNECTIONS.

TEKNİK ÖZELLİKLER / TECHNICAL PROPERTY

ÇALIŞMA ŞARTLARI / WORKING CONDITIONS: DIN 2401
BAĞLANTILAR / ENDS: DIN EN 1092-2

ÇALIŞMA SICAKLIĞI / WORKING TEMP.: -10°C / +120°C

ÇALIŞMA BASINCI / WORKING PRESSURE: PN16