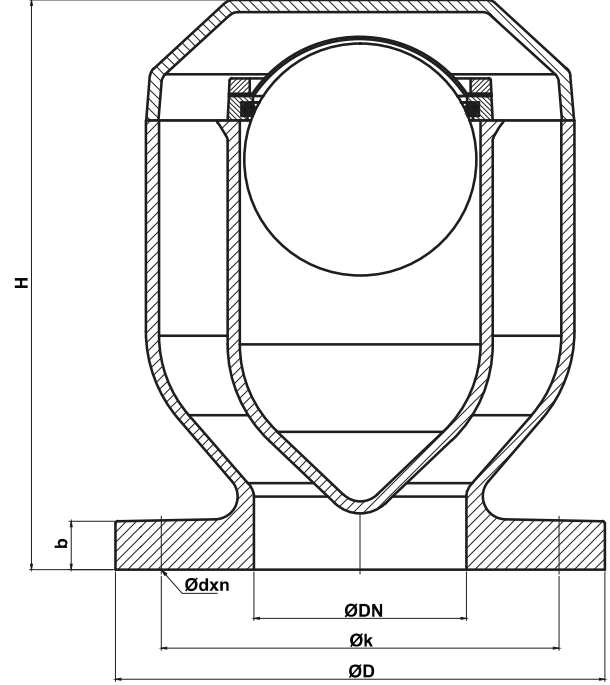


Hava Firar Başlığı (DNV-GL, BV, RMRS, TL Tip Onaylı) Air Vent Pipe Head (DNV-GL, BV, RMRS, TL Type Approved)



DÖKME DEMİR GÖVDELİ / CAST IRON BODY

NO	PARÇA ADI	PART NAME	MATERIAL
1	GÖVDE	BODY	GG25
2	TOP	BALL	P.E.
3	O RİNG FLANŞI	O RING HOLDER RING	RG5
4	O RİNG	O RING	NBR
5	TEL	STRAINER	316
6	TEL BASKI FLANŞI	STRAINER HOLDER RING	RG5
7	ÇİVATA	BOLT	316
8	KAPAK	BONNET	GG25

ALÜMİNYUM GÖVDELİ / ALUMINIUM BODY

NO	PARÇA ADI	PART NAME	MATERIAL
1	GÖVDE	BODY	G-AISI7Mg/G-AIMg3Si/G-AIMg5Si
2	TOP	BALL	P.E.
3	CONTA FLANŞI	GASKET HOLDER RING	G-AISI7Mg/G-AIMg3Si/G-AIMg5Si
4	CONTA	GASKET	EPDM
5	TEL	STRAINER	316
6	TEL BASKI FLANŞI	STRAINER HOLDER RING	G-AISI7Mg/G-AIMg3Si/G-AIMg5Si
7	ÇİVATA	BOLT	316
8	KAPAK	BONNET	G-AISI7Mg/G-AIMg3Si/G-AIMg5Si
9	FLANŞ CONTASI	FLANGE GASKET	EPDM
10	ÇİVATA BURCU	BOLT SLEEVE	NYLON6

	ØD	b	H	Kg	PN6		PN10		PN16		5K		10K	
					Øk	Ødxn	Øk	Ødxn	Øk	Ødxn	Øk	Ødxn	Øk	Ødxn
DN50	165	20	160	5,35	110	14x4	125	18x4	125	18x4	105	15x4	120	19x4
DN65	185	20	195	7,7	130	14x4	145	18x4	145	18x4	130	15x4	140	19x4
DN80	200	20	218	9,6	150	18x4	160	18x8	160	18x8	145	19x4	150	19x8
DN100	220	22	260	13,2	170	18x4	180	18x8	180	18x8	165	19x8	175	19x8
DN125	250	22	305	19	200	18x8	210	18x8	210	18x8	200	19x8	210	19x8
DN150	285	24	365	27,3	225	18x8	240	22x8	240	22x8	230	19x8	240	23x8
DN200	340	26	460	47	280	18x8	295	22x8	295	22x12	280	23x8	290	23x12
DN250	405	28	570	78	335	18x12	350	22x12	355	26x12	345	23x12	355	25x12
DN300	460	28	730	142	395	22x12	400	22x12	410	26x12	390	23x12	400	25x16
DN350	520	30	815	195	445	22x12	460	22x16	470	26x12	435	25x12	445	25x16
DN400	580	32	846	223	495	22x16	515	22x16	525	30x16	495	25x16	510	27x16

UYGULAMA ALANLARI / APPLICATIONS

TÜM DENİZ ARAÇLARININ (KARGO, TANKER, YÜK GEMİSİ, DUBA, YAT V.B) TANKLARININ HAVALANDIRMASINDA KULLANILABİLİR. THIS SYSTEM FOR ALL TANKS VENTILATION OF MARINE VEHICLES (CHEMICAL TANKERS, TUGS, YACHTS, CARGO SHIPS, BARGE, ETC.)

UYGULAMA ALANLARI / APPLICATIONS

-BALLAST TANKS
-FUEL / OIL TANKS
-DIESEL / OIL TANKS
-FRESH WATER TANKS / TATLI SU TANKLARI
-SEWAGE TANKS / PİS SU TANKLARI
-BİLGE TANKS / SİNTİNE TANKLARI

HAVA FIRARLARIMIZDA SERTİFİKALI TOP KULLANILMAKTADIR. ÜRÜNLERDE HEMPEL EPOXY BOYA KULLANILMAKTADIR. BALL IS CERTIFICATED PAINT: HEMPEL EPOXY