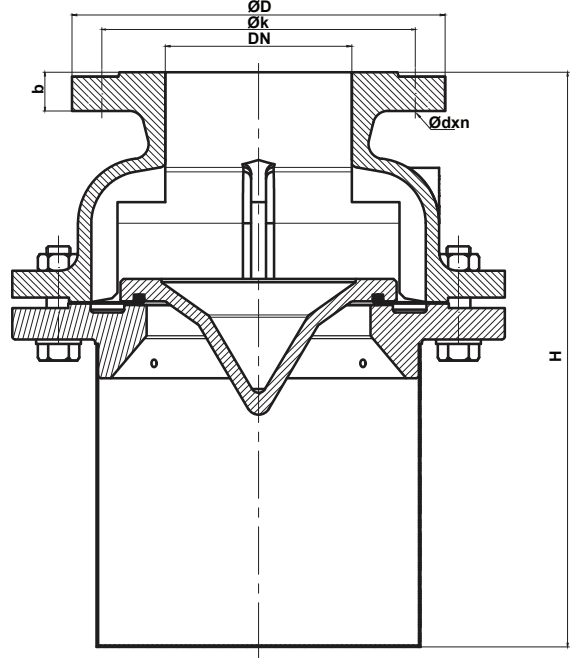


## Ayak Vanası-Dip Klapesi / Foot Valve



NO	PARÇA ADI	PART NAME	MALZEME / MATERIAL
1	GÖVDE	BODY	GG 25 / GGG 40.3
2	KLAPE	DISC	GG 25 / GGG 40.3
3	CONTA	GASKET	NBR
4	KAPAK	BONNET	GG 25 / GGG 40.3
5	CİVATA	BOLT	STEEL
6	SEPET	BASKET	AISI 304
7	CİVATA	BOLT	STEEL

DN	H	PN10 ØD	PN16 ØD	KG
40	230	150	150	7
50	230	165	165	8
65	280	185	185	10
80	300	200	200	14
100	315	220	220	21
125	400	250	250	26
150	505	285	285	44
200	545	340	340	72
250	620	405	405	100
300	700	460	460	160
350	800	520	520	190
400	860	580	580	210
500	945	640	715	275

### UYGULAMA ALANLARI / APPLICATIONS

POMPA EMİŞ HATLARINDA KULLANILIR / USE OF THE PUMP SUCTION LINES.

BAĞLANTILAR / ENDS : EN1092-2

ÇALIŞMA BASINCI / WORKING PRESSURE : PN10/16

ÇALIŞMA SICAKLIĞI / WORKING TEMPERATURE : -10/+80