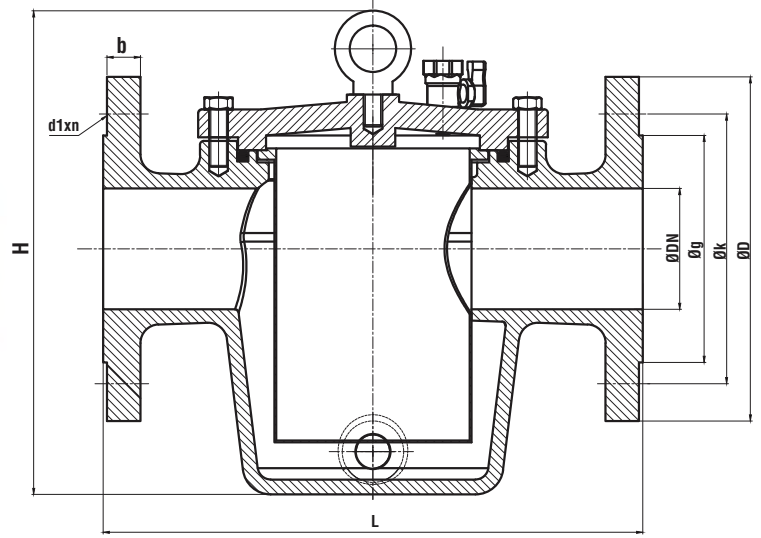


Çamur Sandığı (Düz Tip) / Mud Box (Straight Type)



NO	PARÇA ADI	PART NAME	MATERIAL	DN	L	H	ØD	Øk	Øg	b	Ød1xn	KG
1	GÖVDE	BODY	GGG40.3/RG5-10	32	200	200	140	100	78	18	18x4	10
2	SEPET	SCREEN	GAL.STEEL/AISI 316 / BRASS	40	200	200	150	110	88	20	18x4	10
3	O RING	O RING	NBR	50	230	221	165	125	102	20	18x4	14
4	KAPAK	BONNET	GGG40.3/RG5-10	65	290	254	185	145	122	20	18x4	21
5	CİVATA	BOLT	STEEL	80	310	290	200	160	138	22	18x8	27
6	KÖR TAPA	PLUG	MS 58	100	350	335	220	180	158	24	18x8	36
7	KÜRESEL VANA	BALL VALVE	MS 58	125	400	407	250	210	188	26	18x8	56
8	AYBOLT CİVATA	RING BOLT	SAE 1040	150	480	460	285	240	212	26	22x8	78
				200	600	575	340	295	268	30	22x12	130
				250	600	610	405	355	320	32	26x12	160
				300	600	750	460	410	378	26	26x12	-
				350	800	740	520	470	438	35	26x16	-
				400	740	875	580	525	490	32	30x16	-

UYGULAMA ALANLARI / APPLICATIONS

SİNTİNE SİSTEMLERİNDE, EMİŞ VE DEŞARJ HATTINDA,
DENİZ SOĞUTMA SUYU
BİLGE SYSTEMS, SUCTION AND DISCHARGE LINES,
SEA COOLING WATER

TEKNİK ÖZELLİKLER / TECHNICAL PROPERTY

ÇALIŞMA BASINCI / WORKING PRESSURE: PN4
FLANŞ SEÇENEKLERİ / FLANGE OPTIONS: ANSİ VEYA JIS ÖZEL
FLANŞ YAPILABİLİR.
SPECIAL FLANGE DRILLING ACC. TO ANSİ OR JIS