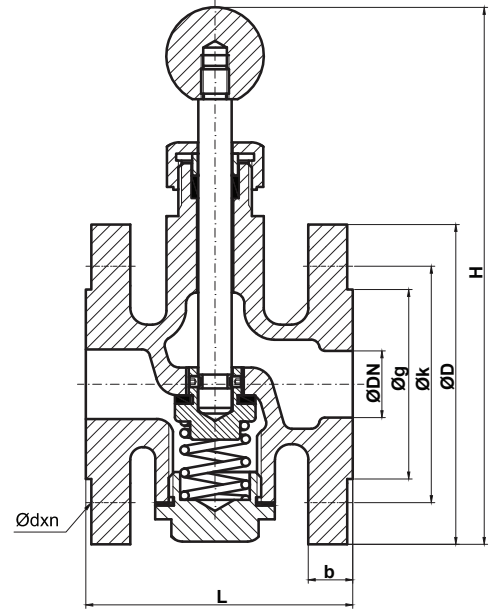
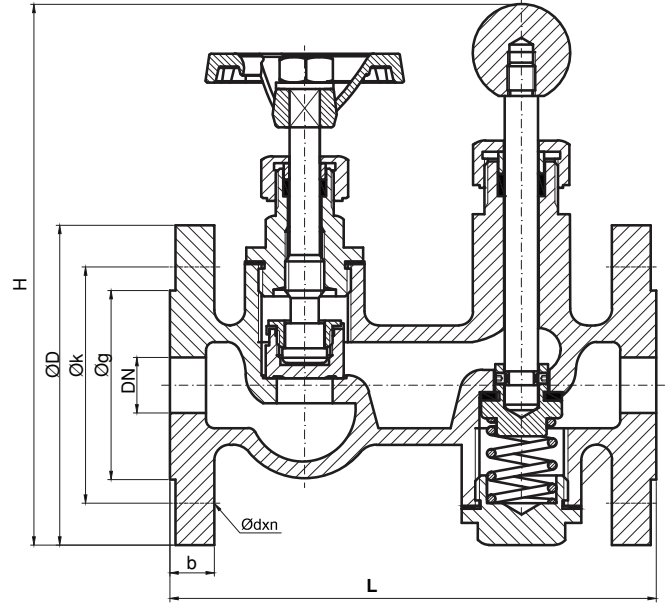


## Dreyn Vanası / Drain Valve



NO	PARÇA ADI	PART NAME	MATERIAL
1	GÖVDE	BODY	GGG40.3
2	MİL	STEM	CuZn39Pb3
3	KLAPE	DISC	CuZn39Pb3
4	KLAPE SOMUNU	DISC NUT	CuZn39Pb3
5	EMNİYET SACI	SECURITY PLATE	CuZn39Pb3
6	YAY	SPRING	SPRING STEEL C
7	CONTA	GASKET	KLINGRIT
8	ALT KAPAK	BOTTOM COVER	GGG40.3
9	ÜST KAPAK	TOP COVER	GGG40.3
10	SALMASTRA	PACKING	SLICON
11	BASKI RİNGİ	PRESS RING	CuZn39Pb3
12	SALMASTRA SOMUNU	PACKING NUT	CuZn39Pb3
13	TÖPUZ	NOB	BAKALITE
14	HENDİL	HANDWHEEL	GG25
15	SOMUN & PUL	NUT & WASHER	6.8 STEEL

ÖLÇÜ	DN	ØD	Øg	Øk	Øb	L	H	Ødxn	Kg
DN20	20	105	58	75	16	170	195	14x4	4,15
DN25	25	115	68	85	16	180	195	14x4	4,75
TEKLI	25	115	68	85	16	95	195	14x4	3,2

### UYGULAMA ALANLARI / APPLICATIONS

YAĞ, MAZOT, FUEL OIL TANKLARININ DREYNİ  
IT IS USED; OIL DIESEL AND FUEL OIL TANKS

### TEKNİK ÖZELLİKLER / TECHNICAL PROPERTY

ÇALIŞMA ŞARTLARI / WORKING CONDITIONS: DIN 2401  
BAĞLANTILAR / ENDS: EN 1092-2  
ÇALIŞMA BASINCI / WORKING PRESSURE: PN10