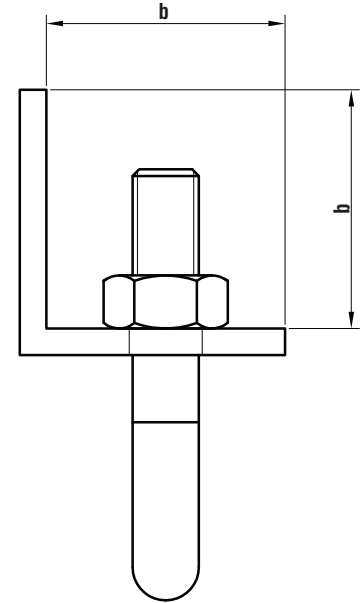
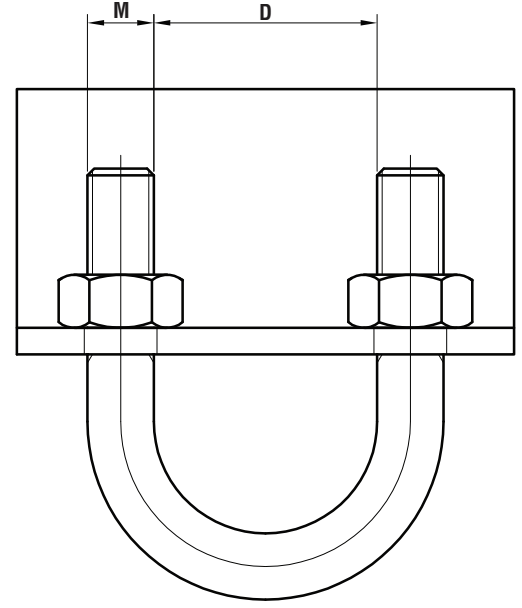
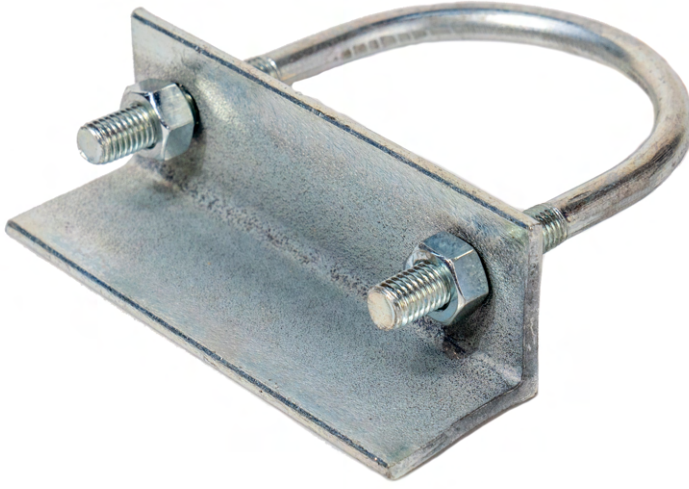




## Kelepçe / U Bolt



ÖLÇÜ	U BOLT	KÖŞEBENT	M	D	b	Kg
1/2"	GALVANIZED / BLACK	30x30x3mm	M8	21,3	24	0,110
3/4"	GALVANIZED / BLACK	30x30x3mm	M8	26,9	30	0,130
1"	GALVANIZED / BLACK	40x40x4mm	M10	33,7	36	0,260
1 1/4"	GALVANIZED / BLACK	40x40x4mm	M10	42,4	46	0,300
1 1/2"	GALVANIZED / BLACK	40x40x4mm	M10	48,3	52	0,340
2"	GALVANIZED / BLACK	40x40x4mm	M10	60,3	64	0,380
2 1/2"	GALVANIZED / BLACK	50x50x5mm	M12	76,1	78	0,700
3"	GALVANIZED / BLACK	50x50x5mm	M12	88,9	94	0,770
4"	GALVANIZED / BLACK	50x50x5mm	M16	114,3	118	1,220
5"	GALVANIZED / BLACK	50x50x5mm	M16	139,7	146	1,430
6"	GALVANIZED / BLACK	50x50x5mm	M16	165,1	172	1,590
8"	GALVANIZED / BLACK	60x60x6mm	M18	219	224	2,710
10"	GALVANIZED / BLACK	60x60x6mm	M18	273	278	3,260
12"	GALVANIZED / BLACK	60x60x6mm	M20	324	328	3,870