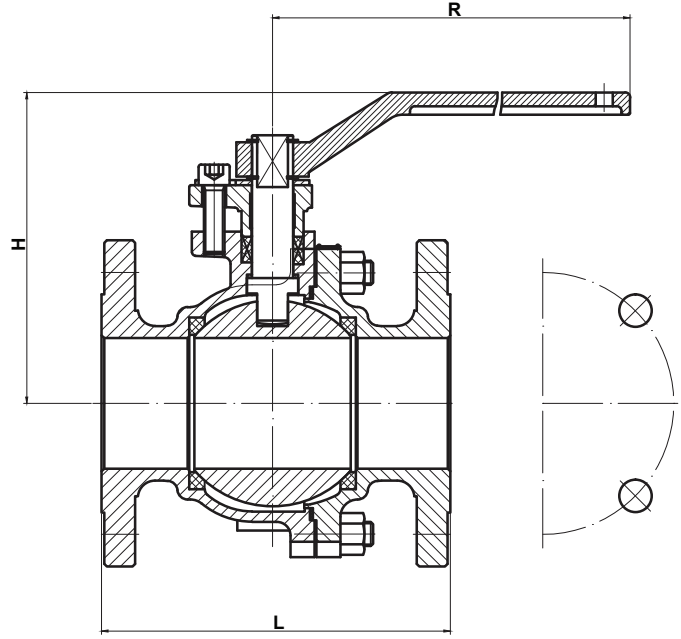




Küresel Vana (Class 150/300/600) / Ball Valve (Class 150/300/600)



| NO PARÇA ADI | PART NAME | MATERIAL |
|----------------------|-------------------|----------------|
| 1 GÖVDE | BODY | ASTM A216 WCB |
| 2 KAPAK | BONNET | ASTM A216 WCB |
| 3 ÇİVATA | DOUBLE SCREW BOLT | ASTM A193 B7 |
| 4 SOMUN | NUT | ASTM A194 2H |
| 5 KÜRE | BALL | ASTM A105+ENP |
| 6 SİT | SEAT | PTFE |
| 7 MİL | STEM | STM A182 F6a |
| 8 SIZDIRMAZLIK TEFL. | SEALING SEAT | PTFE |
| 9 SALMASTRA | PACKING | PTFE |
| 10 YATAK | PLAIN BEARDING | PTFE |
| 11 GLEN | GLAND | ASTM A216 WCB |
| 12 ÇİVATA | BOLT | STM A194 B7 |
| 13 ARA PULU | SPACER | 1020+Zn |
| 14 KİLİT MANDALI | RETAINER RING | 6150 |
| 15 KOL | LEVER | ASTM A216 WCB |
| 16 ETİKET | NAMEPLATE | ALUMINIUM |
| 17 PERÇİN | RIVET | ML10 |
| 18 CONTA | GASKET | GRAPHITE+SS304 |

| Class | DN | H | R | L | KG |
|-------|-----|------|------|-----|------|
| 150 | 15 | 84 | 130 | 108 | 2,5 |
| | 20 | 88 | 130 | 117 | 3 |
| | 25 | 95 | 140 | 127 | 3,6 |
| | 40 | 120 | 250 | 165 | 7 |
| | 50 | 130 | 250 | 178 | 10 |
| | 65 | 160 | 400 | 190 | 15 |
| | 80 | 185 | 400 | 203 | 20 |
| | 100 | 210 | 450 | 229 | 30 |
| | 125 | 220 | 450 | 356 | 60 |
| | 150 | 295 | 1500 | 394 | 75 |
| 200 | 335 | 1500 | 457 | 124 | |
| 250 | - | - | 533 | 264 | |
| 300 | 15 | 84 | 130 | 140 | 3 |
| | 20 | 88 | 130 | 152 | 3,8 |
| | 25 | 95 | 140 | 165 | 5,2 |
| | 40 | 120 | 250 | 191 | 11 |
| | 50 | 140 | 250 | 216 | 14,5 |
| | 65 | 160 | 400 | 241 | 24 |
| | 80 | 180 | 400 | 283 | 31 |
| | 100 | 208 | 450 | 305 | 47 |
| | 125 | 220 | 450 | 381 | 70 |
| | 150 | 335 | 1500 | 403 | 90 |
| 200 | - | 1500 | 502 | 176 | |
| 600 | 15 | 61,5 | 130 | 165 | 4 |
| | 20 | 61,5 | 160 | 190 | 5 |
| | 25 | 78 | 200 | 216 | 7 |
| | 40 | 101 | 350 | 241 | 14 |
| | 50 | 120 | 400 | 292 | 18 |
| | 65 | 174 | 500 | 330 | 30 |
| | 80 | 212 | 600 | 356 | 38 |
| | 100 | 234 | 600 | 432 | 80 |
| 150 | 289 | 800 | 559 | - | |

UYGULAMA ALANLARI / APPLICATIONS

SICAK SU, SOĞUK SU, BUHAR, KİMYASAL AKIŞKANLAR, YAĞ, DOĞALGAZ, PETROL, ISITMA-SOĞUTMA HAVALANDIRMA
HOT WATER, COLD WATER, STEAM, CHEMICAL FLUIDS, OIL, NATURAL GAS, HVAC, ETC.

TEKNİK ÖZELLİKLER / TECHNICAL PROPERTY

BAĞLANTILAR / ENDS: ANSI B16.5

FACE TO FACE: ANSI B16.10