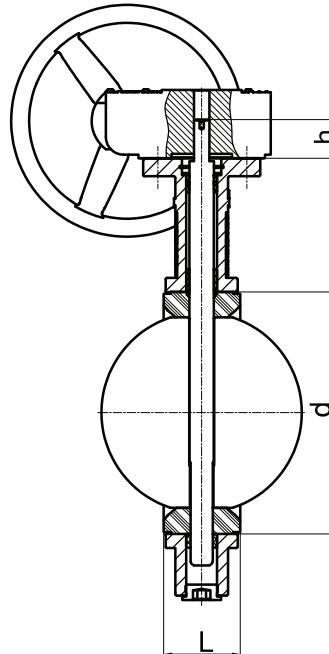
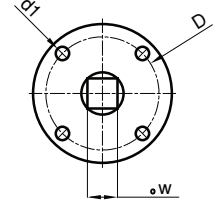
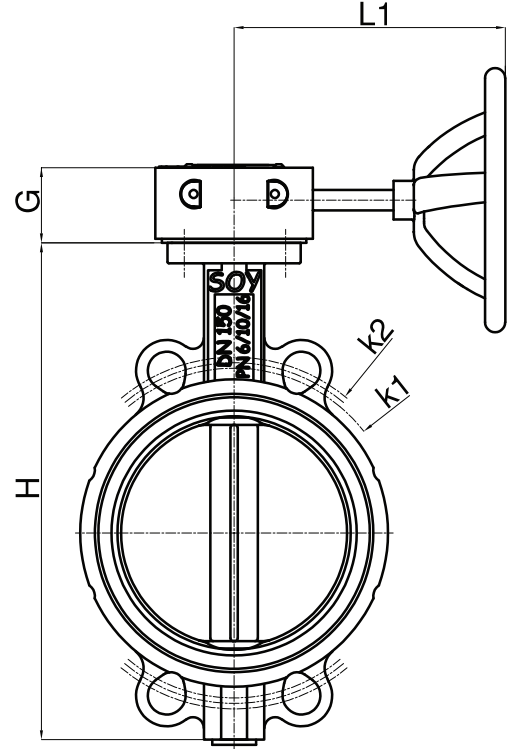


Wafer Tip Kelebek Vana / Wafer Type Butterfly Valve (DN250-DN600)



NO	PARÇA ADI	PART NAME	MALZEME/MATERIAL
1	GÖVDE	BODY	GG25/GGG40/WCB/RG5-10/SS316
2	UZUN BURÇ	LONG BUSHING	PTFE
3	MİL	STEM	AISI 420/BRASS
4	CONTA	GASKET	NBR/VITON/PTFE/EPDM/NR/SİLİKON/SBR
5	KLAPE	DISC	ALU-BRONZE/SS316/DI/SS304
6	KISA BURÇ	SHORT BUSHING	PTFE
7	O RİNG	O RING	NBR/ VITON
8	PUL	WASHER	GR.33
9	SEGMAN	CIRCLIP	GR.33
10	REDÜKTÖR	GEAR BOX	GGG40
11	CİVATA	BOLT	STEEL

DN	H	L1	D	d1	W	L	d	h	G	PN6	PN10	PN16	KG
										Øk1	Øk2	Øk3	
250	470	260	102	12	22	72	292	38	75	335	350	355	21,5
300	540	260	102	12	22	81	344	38	75	395	400	410	35,3
350	610	260	125	14	22	79	375	44	75	445	460	470	46,5
400	680	310	140	18	27	107	440	52	90	495	515	525	75,3
450	740	310	140	18	27	120	491	52	90	550	565	585	93,5
500	820	310	140	18	36	133	535	57	90	600	620	650	118,5
600	1037	337	165	22	36	160	654	70	125	705	725	770	214

UYGULAMA ALANLARI / APPLICATIONS

SU, DENİZ SUYU, ATIK SU, HAVA, YAĞ, TOZ, GAZ, vb.
WATER, SEA WATER, WASTE WATER, AIR, OIL, GAS, etc.

TEKNİK ÖZELLİKLER / TECHNICAL PROPERTY

BAĞLANTILAR / ENDS: 1092-2
ÇALIŞMA BASINCI / WORKING PRESSURE: PN16

ÇALIŞMA SICAKLIĞI / WORKING TEMP.

NBR: -10°C / +82°C
EPDM: -10°C / +110°C
PTFE: -20°C / +150°C
VITON: -20°C / +150°C
NR: -20°C / +82°C