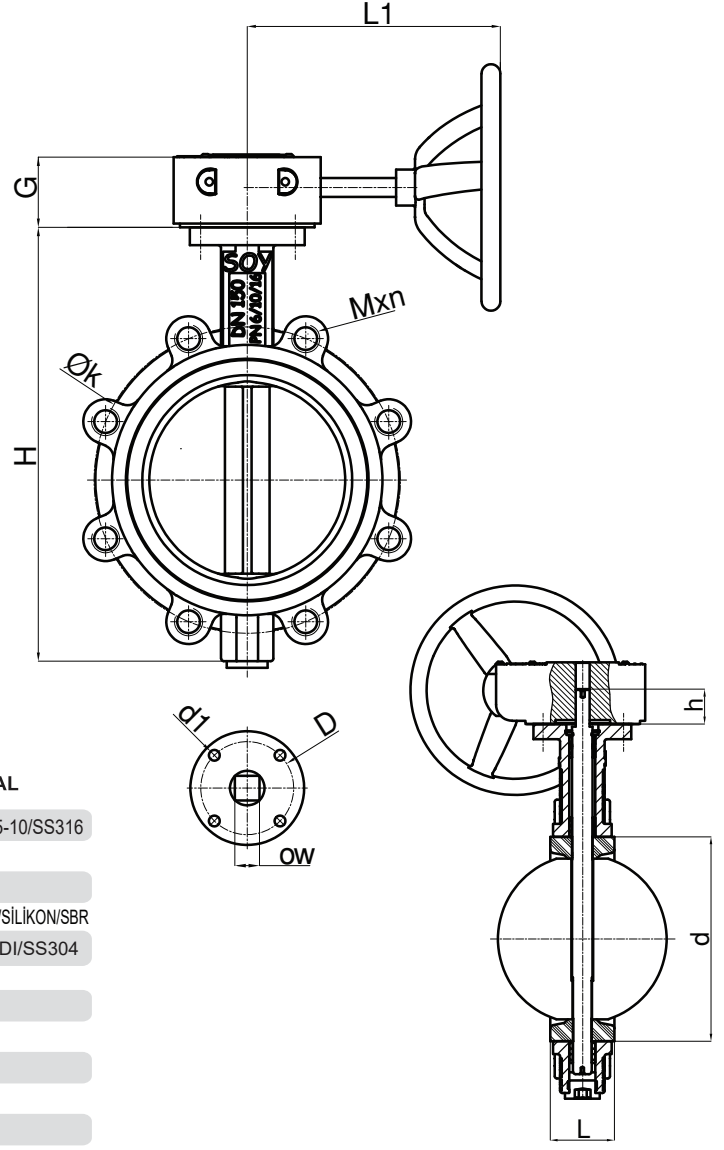


Lug Tip Kelebek Vana / Lug Type Butterfly Valve (DN250-DN700)



| NO | PARÇA ADI | PART NAME | MALZEME/MATERIAL |
|----|-----------|---------------|-----------------------------------|
| 1 | GÖVDE | BODY | GG25/GGG40/WCB/RG5-10/SS316 |
| 2 | UZUN BURÇ | LONG BUSHING | PTFE |
| 3 | MİL | STEM | AISI 420/BRASS |
| 4 | CONTA | GASKET | NBR/VITON/PTFE/EPDMNR/SİLİKON/SBR |
| 5 | KLAPE | DISC | ALU-BRONZE/SS316/DI/SS304 |
| 6 | KISA BURÇ | SHORT BUSHING | PTFE |
| 7 | O RİNG | O RING | NBR/VITON |
| 8 | PUL | WASHER | GR.33 |
| 9 | SEGMAN | CIRCLIP | GR.33 |
| 10 | REDÜKTÖR | GEAR BOX | GGG40 |
| 11 | CİVATA | BOLT | STEEL |

| DN | H | L1 | D | d1 | W | d | L | h | G | PN10 | | PN16 | | 5K | | 10K | | KG |
|-----|------|-----|-----|----|----|-------|-----|----|-----|------|--------|------|--------|-----|--------|-----|--------|------|
| | | | | | | | | | | Øk | nxM | Øk | nxM | Øk | nxM | Øk | nxM | |
| 250 | 470 | 260 | 102 | 12 | 22 | 292 | 72 | 38 | 75 | 350 | 12xM20 | 355 | 12xM24 | 345 | 12xM20 | 355 | 12xM22 | 26,2 |
| 300 | 540 | 260 | 102 | 12 | 22 | 344 | 81 | 38 | 75 | 400 | 12xM20 | 410 | 12xM24 | 390 | 12xM20 | 400 | 16xM22 | 42,7 |
| 350 | 610 | 260 | 125 | 14 | 22 | 375 | 79 | 44 | 75 | 460 | 16xM20 | 470 | 16xM24 | 435 | 12xM22 | 445 | 16xM22 | 74 |
| 400 | 680 | 310 | 140 | 18 | 27 | 440 | 107 | 52 | 90 | 515 | 16xM24 | 525 | 16xM27 | 495 | 16xM22 | 510 | 16xM24 | 118 |
| 450 | 740 | 310 | 140 | 18 | 27 | 491 | 120 | 52 | 90 | 565 | 20xM24 | 585 | 20xM27 | 555 | 16xM22 | 565 | 20xM24 | 140 |
| 500 | 820 | 310 | 140 | 18 | 36 | 535 | 133 | 57 | 90 | 620 | 20xM24 | 650 | 20xM30 | 605 | 20xM22 | 620 | 20xM24 | 179 |
| 550 | 880 | 256 | 165 | 22 | 36 | 604.5 | 157 | 70 | 125 | 675 | 20xM24 | 680 | 20xM30 | 665 | 20xM24 | 680 | 20xM30 | 170 |
| 600 | 1037 | 337 | 165 | 22 | 36 | 654 | 159 | 70 | 125 | 725 | 20xM27 | 770 | 20xM33 | 715 | 20xM24 | 730 | 24xM30 | 272 |
| 700 | 1142 | 359 | 254 | 18 | 46 | 744 | 170 | 66 | 149 | 840 | 24xM27 | 840 | 24xM33 | 820 | 24xM24 | 840 | 24xM30 | 300 |

UYGULAMA ALANLARI / APPLICATIONS

SU, DENİZ SUYU, ATIK SU, HAVA, YAĞ, TOZ, GAZ, vb.
WATER, SEA WATER, WASTE WATER, AIR, OIL, GAS, etc.

TEKNİK ÖZELLİKLER / TECHNICAL PROPERTY

BAĞLANTILAR / ENDS: 1092-2
ÇALIŞMA BASINCI / WORKING PRESSURE:
DN250-DN350: PN16
DN400-DN700: PN10

ÇALIŞMA SICAKLIĞI / WORKING TEMP.

NBR: -10°C / +82°C
EPDM: -10°C / +110°C
PTFE: -20°C / +150°C
VITON: -20°C / +150°C
NR: -20°C / +82°C