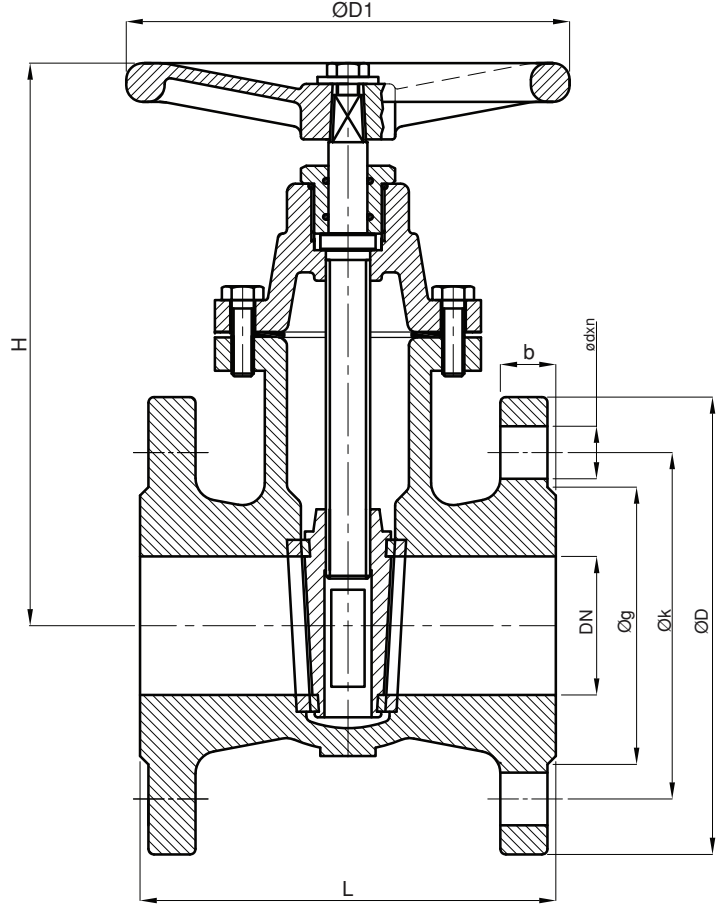




Sürgülü Vana PN6 (DIN 3204) / Gate Valve PN6 (DIN3204)



NO	PARÇA ADI	PART NAME	MATERIAL
1	GÖVDE	BODY	GG25/GGG40/RG5-10
2	SİT	SEAT	BRASS / BRONZE
3	SÜRGÜ	WEDGE	GG25/GGG40/RG5-10
4	MİL	STEM	STAINLESS STEEL/MS58
5	CONTA	GASKET	NBR/VITON
6	KAPAK	BONNET	GG25/GGG40/RG5-10
7	HENDİL	HANDWHEEL	GG20/RG5-10

DN	L	H	ØD ₁	PN6					KG
				ØD	Øk	Øg	b	Ødxn	
40	140	185	160	130	100	78	16	Ø14x4	7,5
50	150	190	160	140	110	88	16	Ø14x4	8
65	170	210	160	160	130	108	16	Ø14x4	12
80	180	235	160	190	150	124	18	Ø19x4	15
100	190	265	200	210	170	144	18	Ø19x4	19,5
125	200	350	250	240	200	174	20	Ø19x8	33,7
150	210	380	250	265	225	199	20	Ø19x8	43

UYGULAMA ALANLARI / APPLICATIONS

SICAK VE SOĞUK SU SİSTEMLERİ / HOT AND COLD WATER SYSTEMS
SIVI YAKIT TESİSATLARI / LIQUID FUEL INSTALLATION
ASİT VE ALKALİ ÖZELLİĞİ BULUNMAYAN YANICI OLMAYAN
AKIŞKANLAR FLUID EXCLUDING ACID & NON-FLAMMABLE FLUIDS

TEKNİK ÖZELLİKLER / TECHNICAL PROPERTY

BAĞLANTILAR / ENDS: DIN 1092-2
ÇALIŞMA SICAKLIĞI / WORKING TEMP.: -10°C / +120°C
ÇALIŞMA BASINCI / WORKING PRESSURE: PN16
FACE TO FACE DIMENSIONS: TS EN 558-1
TESTLER / TESTS: TS EN12266-1