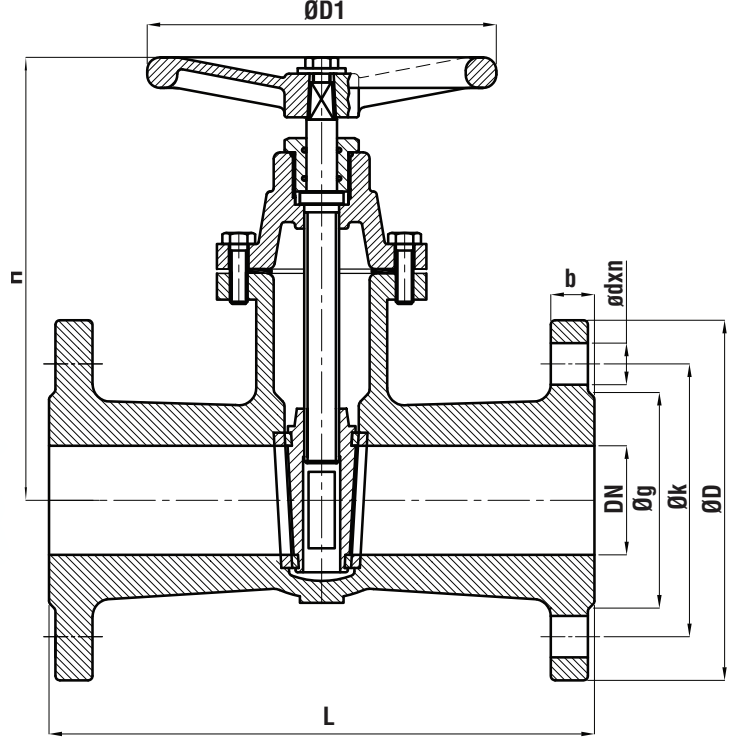




## Sürgülü Vana PN16 (DIN 3225) / Gate Valve PN16 (DIN3225)



NO	PARÇA ADI	PART NAME	MATERIAL
1	GÖVDE	BODY	GG25/GGG40
2	SİT	SEAT	BRASS / BRONZE
3	SÜRGÜ	WEDGE	GG25/GGG40
4	MİL	STEM	STAINLESS STEEL
5	CONTA	GASKET	NBR
6	KAPAK	BONNET	GG25/GGG40
7	HENDİL	HANDWHEEL	GG20

DN	L	H	ØD <sub>1</sub>	PN16						KG
				ØD	Øk	Øg	b	Ødxn		
40	240	185	160	150	110	84	18	Ø19x4	11	
50	250	190	160	165	125	99	20	Ø19x4	12	
65	270	210	160	185	145	118	20	Ø19x4	117,2	
80	280	235	160	200	160	132	22	Ø19x8	20	
100	300	270	200	220	180	156	24	Ø19x8	26	
125	325	350	250	250	210	184	26	Ø19x8	44	
150	350	385	250	285	240	211	26	Ø23x8	57,6	
200	400	495	315	340	295	266	30	Ø23x12	91	
250	450	640	315	405	355	319	32	Ø28X12	174	
300	500	720	315	460	410	370	32	Ø28X12	240	

### UYGULAMA ALANLARI / APPLICATIONS

SICAK VE SOĞUK SU SİSTEMLERİ / HOT AND COLD WATER SYSTEMS  
SIVI YAKIT TESİSATLARI / LIQUID FUEL INSTALLATION  
ASİT VE ALKALİ ÖZELLİĞİ BULUNMAYAN YANICI OLMAYAN AKIŞKANLAR FLUID EXCLUDING ACID & NON-FLAMMABLE FLUIDS  
TESTLER / TESTS: TS EN12266-1

### TEKNİK ÖZELLİKLER / TECHNICAL PROPERTY

BAĞLANTILAR / ENDS: DIN 1092-2  
ÇALIŞMA SICAKLIĞI / WORKING TEMP.: -10°C / +120°C  
ÇALIŞMA BASINCI / WORKING PRESSURE: PN10  
FACE TO FACE DIMENSIONS: TS EN 558-1