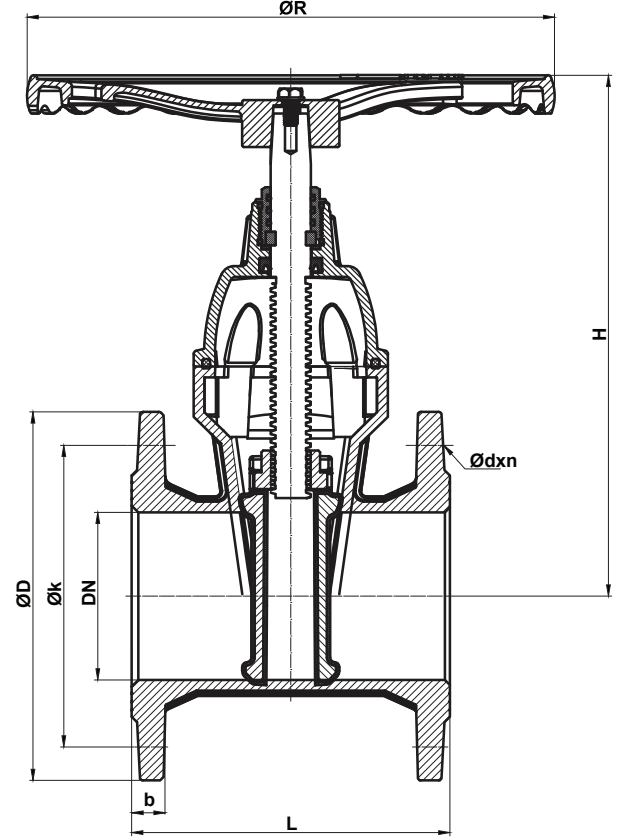
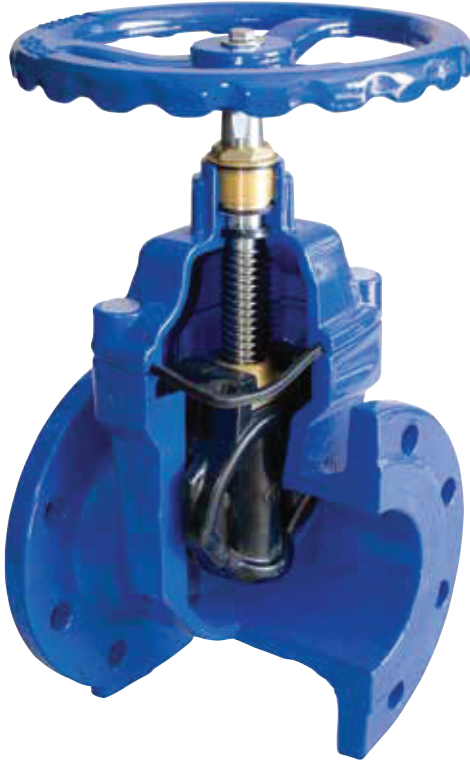


Elastomer Sitli Sürgülü Vana / Resilient Seated Gate Valve



NO	PARÇA ADI	PART NAME	MATERIAL
1	GÖVDE	BODY	GGG50
2	KLAPE	DISC	EPDM+GGG50
3	CONTA	GASKET	NBR
4	MİL	STEM	AISI 420
5	U RING	U RING	NBR
6	GÖVDE SIZDIR.TEFL.	HOLDING RING	CuZn 40
7	HENDİL	HAND WHEEL	GGG 50
8	ÇİVATA	BOLT	AISI 304
9	PUL	WASHER	AISI 304
10	O RING	O RING	NBR
11	O RING	O RING	NBR
12	BASKI SOMUNU	THRUTS NUT	CuZn 40
13	BASKI PULU	THRUTS WASHER	PTFE
14	KAPAK	BONNET	GGG 50
15	MİL SOMUNU	STEM NUT	CuZn 40

DN	L	H	R	PN10				PN16				KG
				D	k	b	dxn	D	k	b	dxn	
40	140	191	200	150	110	19	19x4	150	110	19	19x4	8
50	150	214	200	165	125	19	19x4	165	125	19	19x4	9
65	170	237	200	185	145	19	19x4	185	145	19	19x4	13
80	180	265	254	200	160	19	19x8	200	160	19	19x8	15
100	190	311	254	220	180	19	19x8	220	180	19	19x8	20
125	200	348	315	250	210	19	19x8	250	210	19	19x8	24
150	210	385	315	285	240	19	23x8	285	240	19	23x8	32
200	230	488	315	340	295	20	23x8	340	295	20	23x12	49
250	250	600	406	395	350	22	23x12	405	355	22	28x12	81
300	270	680	406	445	400	24,5	23x12	460	410	24,5	28x12	110
350	290	810	500	505	460	24,5	23x16	520	470	26,5	31x16	180
400	310	890	500	565	515	24,5	28x16	580	525	28	31x16	236
450	330	1010	630	615	565	25,5	28x20	640	585	30	31x20	-
500	350	1234	630	670	620	26,5	28x20	715	650	31,5	34x20	466
600	390	1260	630	780	725	30	31x20	840	770	36	37x20	580
700	430	2150		895	840	32,5	31x24	910	840	39,5	37x24	1010
800	470	2150		1015	950	35	33x24	1025	950	43	39x24	1100
1000	550	2250		1230	1160	40	37x28	1255	1170	50	44x28	-

UYGULAMA ALANLARI / APPLICATIONS

SICAK SU, SOĞUK SU, ASİT VE ALKALİ OLMAYAN YANICI
ÖZELLİĞİ BULUNMAYAN AKIŞKANLAR
WATER SYSTEMS, FLUID EXCLUDING ACID & NON-FLAMMABLE
FLUIDS

TEKNİK ÖZELLİKLER / TECHNICAL PROPERTY

BAĞLANTILAR / ENDS: DIN 1092-2
DİZAYN / DESIGN: EN1171, EN1074-2 ÇALIŞMA
BASINCI / WORKING PRESSURE: PN16 FACE TO
FACE DIMENSIONS: TS EN 558-1 F14