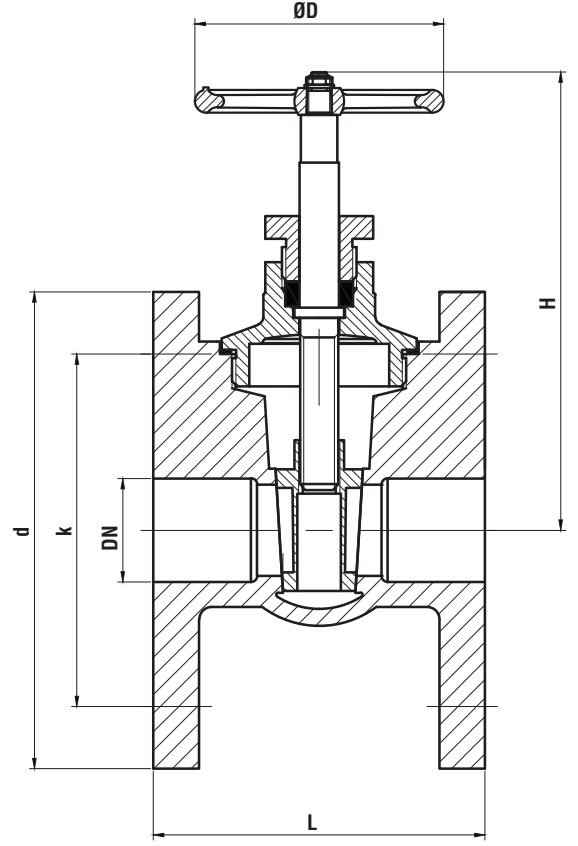




## Sürgülü Vana (Bronz) / Gate Valve (Bronze)



| NO | PARÇA ADI   | PART NAME | MALZEME/MATERIAL |
|----|-------------|-----------|------------------|
| 1  | GÖVDE       | BODY      | RG5              |
| 2  | KAPAK       | BONNET    | RG5              |
| 3  | SÜRGÜ       | WEDGE     | RG5              |
| 4  | MİL         | STEM      | MS58             |
| 5  | CONTA       | GASKET    | PTFE             |
| 6  | GLEN SOMUNU | GLANDNUT  | MS58             |
| 7  | GLEN        | GLAND     | MS58             |
| 8  | SALMASTRA   | PACKING   | GRAPHITE         |
| 9  | HENDİL      | HANDWHEEL | GG25             |
| 10 | SOMUN       | NUT       | BRASS            |

| DN  | L   | H   | d   | D   | k   |
|-----|-----|-----|-----|-----|-----|
| 15  | 75  | 82  | 95  | 50  | 65  |
| 20  | 75  | 103 | 105 | 60  | 75  |
| 25  | 80  | 103 | 115 | 60  | 85  |
| 32  | 90  | 122 | 140 | 70  | 100 |
| 40  | 100 | 132 | 150 | 80  | 110 |
| 50  | 110 | 155 | 165 | 90  | 125 |
| 65  | 130 | 198 | 185 | 110 | 145 |
| 80  | 150 | 237 | 200 | 120 | 160 |
| 100 | 160 | 325 | 220 | 175 | 180 |

### UYGULAMA ALANLARI / APPLICATIONS

SICAK SU VE SOĞUK SU SİSTEMLERİ / HOT AND COLD WATER SYSTEMS

DOYMUŞ BUHAR VE DİĞER DOĞAL AKIŞLARDA / SATURATED STEAM AND OTHER NATURAL FLOWS

ÇALIŞMA SICAKLIĞI / WORKING TEMP MAX: 180°C

ÇALIŞMA BASINCI / WORKING PRESSURE : PN16