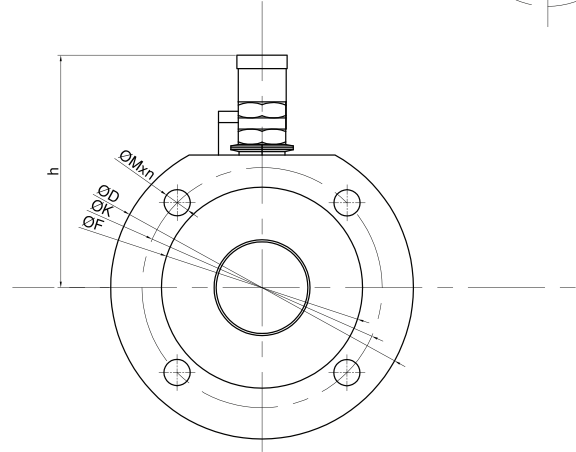
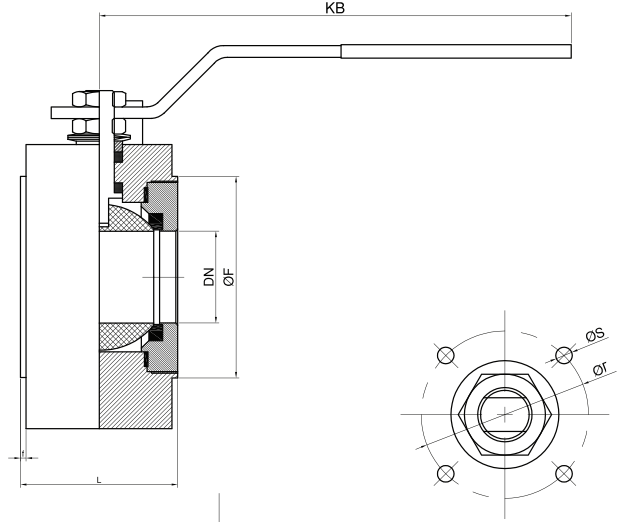




Küresel Vana (Monoblok) / Ball Valve (Monoblock)



NO	PARÇA ADI	PART NAME	MATERIAL
1	GÖVDE	BODY	CARBON STEEL / AISI 304 / 316
2	KAPAK	COVER	CARBON STEEL / AISI 304 / 316
3	KÜRE	BALL	1.4301 / 1.4086 / AISI 304 / 316
4	MİL	STEM	1.4021 / AISI 304 / 316
5	KÜRE CONTA	BALL SEAL	PTFE-TEFLON / PTFE-TEFLON
6	GÖVDE CONTA	BODY SEAL	PTFE-TEFLON / PTFE-TEFLON
7	BOĞAZ CONTA	NECK SEAL	PTFE-TEFLON / PTFE-TEFLON
8	BASKI RİNGİ	PRESSURE RING	ST42 / AISI 304 / 316
9	ÇANAK PUL	BOWL WASHER	CK70 / AISI 304
10	KONTRA SOMUN	COUNTER NUT	5.6. / AISI304
11	STOPLAMA PİMİ	STOPPING PIM	ST42 / AISI 304
12	KOL	HANDLE	ST37 / AISI304

DN	L	KB	h	f	PN16					PN40					G	S	KG
					D	K	M	n	F	D	K	M	n	F			
15	39	150	80	2	88	65	M12	4	50	88	65	M12	4	50	36	M5	1,45
20	42	15	85	2	98	75	M12	4	60	98	75	M12	4	60	36	M5	1,90
25	47	185	90	2	109	85	M12	4	68	109	85	M12	4	68	42	M5	2,80
32	58	240	100	2	135	100	M16	4	78	135	100	M16	4	78	42	M5	5,00
40	65	280	120	3	147	110	M16	4	88	147	110	M16	4	88	50	M6	6,50
50	84	280	125	3	167	125	M16	4	105	167	125	M16	4	105	50	M6	10,50
65	105	330	150	3	178	145	M16	4	125	178	145	M16	8	125	70	M8	14,50
80	120	400	160	3	198	160	M16	8	132	198	160	M16	8	132	70	M8	21,50
100	150	460	175	3	233	180	M16	8	158	233	190	M20	8	162	102	M10	36,00
125	200	460	200	3	270	210	M16	8	188	270	220	M20	8	188	125	M12	65,00
150	235	670	240	3	310	240	M20	8	212	310	250	M22	8	218	125	M12	85,00

UYGULAMA ALANLARI / APPLICATIONS

BUHAR, SICAK-SOĞUK SU, BASINÇLI HAVA, ASİT VE ALKALİ
ÖZELLİĞİ BULUNMAYAN SIVI AKIŞKANLAR
STEAM, HOT-COLD WATER, COMPRESSED AIR, FLUID EXCLUDING ACID
FLUIDS

TEKNİK ÖZELLİKLER / TECHNICAL PROPERTY

BAĞLANTILAR / ENDS: DIN EN 1092-2
DİZAYN / DESIGN: TS 3148, EN ISO 17292
FACE TO FACE DIMENSIONS: EN 558-1
ÇALIŞMA SICAKLIĞI / WORKING TEMP.: -10°C / +110°C
ÇALIŞMA BASINCI / WORKING PRESSURE: PN16