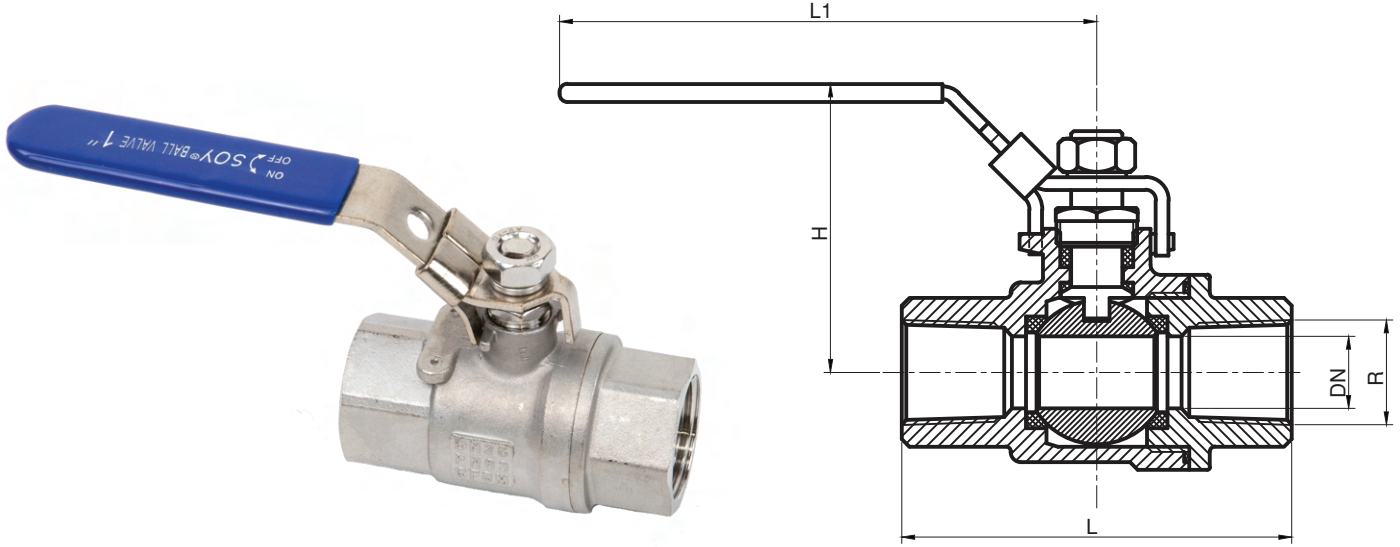


## Küresel Vana (2 Parçalı, Paslanmaz, Dişli) Ball Valve (2 PCS Body, St.Steel, Threaded)



NO	PARÇA ADI	PART NAME	MALZEME/MATERIAL
1	GÖVDE	BODY	ASTM A351 CF8M
2	SİT	SEAT	PTFE
3	KÜRE	BALL	AISI 316
4	KEP	CAP	ASTM A351 CF8M
5	CONTA	GASKET	PTFE
6	SIKIŞTIRMA PULU	THRUST WASHER	PTFE
7	SALMASTRA	PACKING	PTFE
8	GLEN	GLAND	AISI 304
9	PUL	WASHER	AISI 304
10	SOMUN	NUT	AISI 304
11	MİL	STEM	AISI 316
12	KOL KİLİDİ	LOCK	AISI 201
13	KOL	HANDLE	AISI 201

DN	R	L	H	L1	KG
8	1/4"	55	51	92	0,21
10	3/8"	60	52	92	0,21
15	1/2"	75	60	104	0,29
20	3/4"	80	64	119	0,41
25	1"	90	68	123	0,60
32	1 1/4"	110	76	144	0,87
40	1 1/2"	120	84	158	1,36
50	2"	140	92	168	1,82
65	2 1/2"	185	135	243	4,16
80	3"	205	144	243	5,88
100	4"	240	166	295	9,00

### UYGULAMA ALANLARI / APPLICATIONS

SU, YAĞ, GAZ VE DİĞER AKIŞKANLAR / WATER, OIL,  
GAS AND OTHERS

### TEKNİK ÖZELLİKLER / TECHNICAL PROPERTY

BAĞLANTILAR / ENDS: DIN 2999, BSP DİŞLİ / THREADED  
BOYUTLAR / DIMENSIONS: DIN3202-M3  
ÇALIŞMA SICAKLIĞI / WORKING TEMP.: -20°C / +232°C  
ÇALIŞMA BASINCI / WORKING PRESSURE: PN63