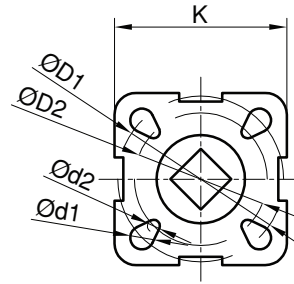
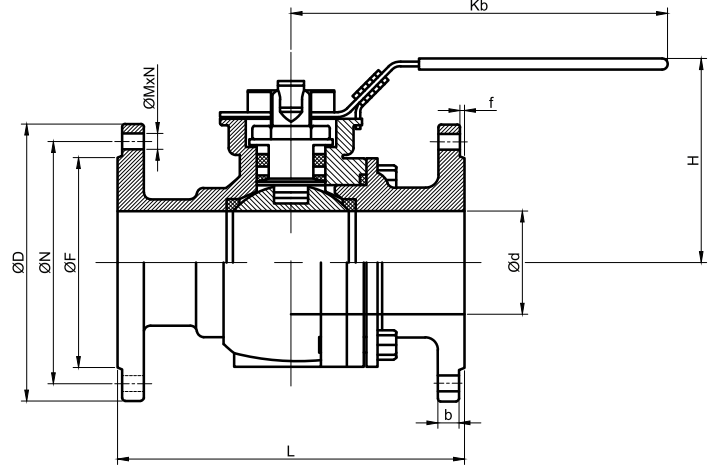


Küresel Vana (2 Parçalı, Paslanmaz, Flanşlı, Tepe Flanşlı) Ball Valve (2 PCS Body, St. Steel, Flanged, W/Mounting Pad)



NO	PARÇA ADI	PART NAME	MATERIAL
1	GÖVDE	BODY	CF8/CF8M
2	KÜRE	BALL	SS304/SS316
3	CIVATA	BOLT	S.STEEL
4	KOL KİLİDİ	LOCK	S.STEEL
5	MİL	STEM	SS316
6	KAPAK	CAP	CF8/CF8M
7	SİT	SEAT	PTFE
8	MİL CONTASI	STEM GASKET	PTFE
9	KOL	LEVER	ST37

SIZE	L	Kb	H	Ød	ØD	ØN	ØF	b	f	ØM	MN	ØD1	ØD2	Ød1	Ød2	K	PRESSURE CLASS
1/2"	115	140	93	15	95	65	45	16	2	14	4	42	36	5	5	36	
3/4"	120	140	95	20	105	75	58	18	2	14	4	42	36	5	5	36	
1"	125	175	115	25	115	85	68	18	2	14	4	50	42	6.5	6.5	42	PN16 PN40
1 1/2"	130	180	120	32	140	100	78	18	2	18	4	50	42	6.5	6.5	42	
1 1/2"	140	200	140	40	150	110	88	18	3	18	4	70	50	8.5	6.5	50	
2"	150	200	145	50	165	125	102	20	3	18	4	70	50	8.5	6.5	50	
2 1/2"	170	225	160	65	185	145	122	18	3	18	4	102	70	10.5	8.5	70	
3"	180	265	175	80	200	160	138	20	3	18	8	102	70	10.5	8.5	70	PN16
4"	190	265	190	100	220	180	158	20	3	18	8	102	70	10.5	8.5	102	

UYGULAMA ALANLARI / APPLICATIONS

SU, BUHAR, BASINÇLI HAVA, LPG-LNG, PETROL,
SERAMİK ÇAMURU

TEKNİK ÖZELLİKLER / TECHNICAL PROPERTY

BAĞLANTILAR / ENDS: DIN 2533
BOYUTLAR / DIMENSIONS: EN 558-1
FACE TO FACE: DIN 3204 F4
ÇALIŞMA SICAKLIĞI / WORKING TEMP.: -30°C / +180°C
ÇALIŞMA BASINCI / WORKING PRESSURE: PN16
ISO 5211 TEPE FLANŞLI / WITH ISO 5211 MOUNTING PAD