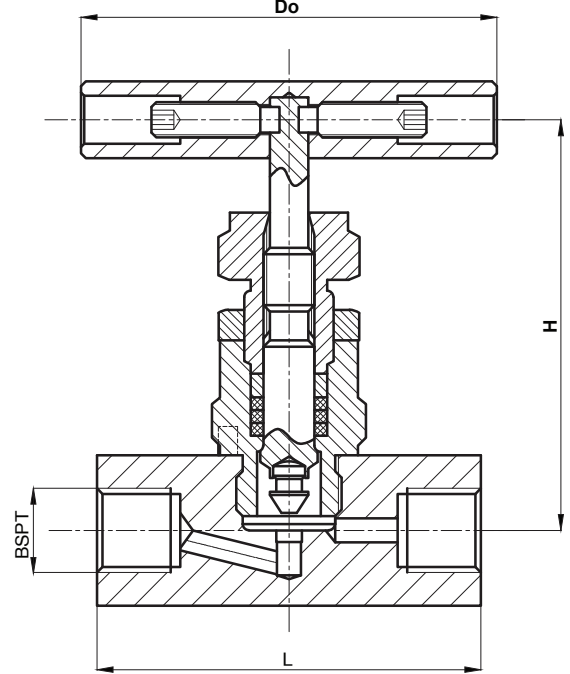




İğne Vana / Needle Valve



| NO | PARÇA ADI | PART NAME | MATERIAL |
|----|--------------|----------------|-----------------|
| 1 | GÖVDE | BODY | F316 |
| 2 | PİM | DOWEL | STAINLESS STEEL |
| 3 | SALMASTRA | PACKING | PTFE |
| 4 | KAPAK | BONNET | 316 |
| 5 | KİLİT SOMUNU | LOCKING NUT | 17-4 |
| 6 | BASKI VİDASI | PACKING BOLT | 304 |
| 7 | ÜST MİL | UPPER STEM | 316 |
| 8 | AYAR VİDASI | SET SCREW | STAINLESS STEEL |
| 9 | HENDİL | HANDLE | AL |
| 10 | CONTA | PACKING WASHER | 316 |
| 11 | MİL UCU | STEM TIP | 316 |

| BSPT | L | H | Do |
|------|------|------|----|
| 1/4" | 60 | 64.2 | 65 |
| 3/8" | 60 | 64.2 | 65 |
| 1/2" | 76,2 | 74 | 65 |
| 3/4" | 78 | 81 | 65 |
| 1" | 96 | 81 | 75 |

UYGULAMA ALANLARI / APPLICATIONS

ENERJİ SANTRALLERİ, GAZ, YAKIT, SU, BUHAR, LNG, LPG, VB.
POWER PLANTS, GAS, OIL, WATER, STEAM, LNG, LPG, ETC.

TEKNİK ÖZELLİKLER / TECHNICAL PROPERTY

BAĞLANTILAR / ENDS: BSPT
ÇALIŞMA BASINCI / WORKING PRESSURE: 6000 PSI
ÇALIŞMA SICAKLIĞI / WORKING TEMP.: -53°C / +455°C