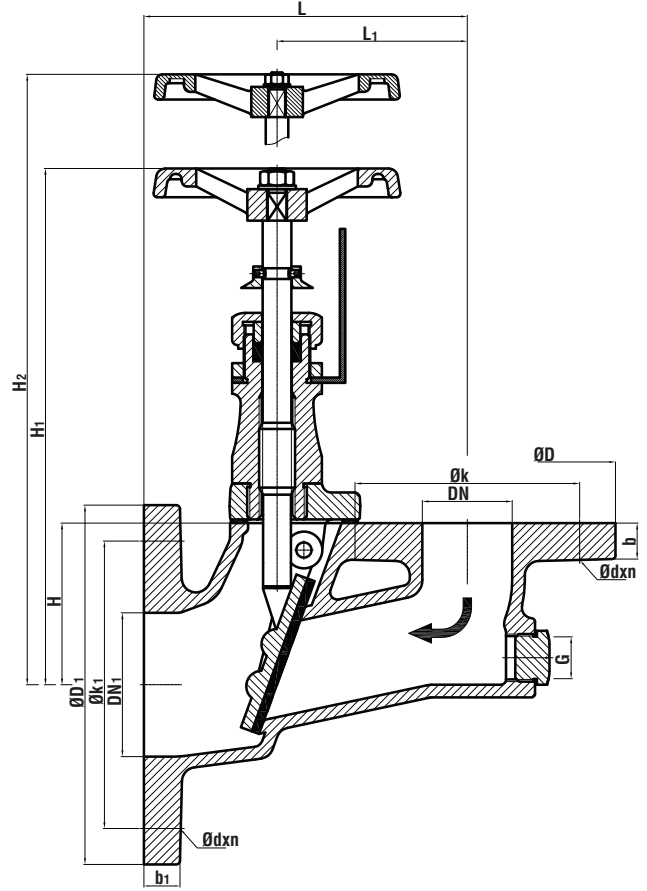


Tuvalet Çalparası-Fırtına Vanası (Gönye Tip) / Storm Valve (Angle Type)



NO	PARÇA ADI	PART NAME	MATERIAL	NO	PARÇA ADI	PART NAME	MATERIAL
1	GÖVDE	BODY	GGG40.3/BRONZE	11	SOMUN	NUT	CuZn39Pb3
2	KLAPE	DISC	RG5	12	SALMASTRA	PACKING	GRAPHITE
3	CONTA	GASKET	NBR	13	BASKI RİNGİ	PRESS RING	CuZn39Pb3
4	KAPAK	BONNET	GGG40.3/BRONZE	14	BASKI SOMUNU	PRESS NUT	CuZn39Pb3
5	PİM & KOPİLYA	PIN & KOTTER PIN	CuZn39Pb3	15	GÖSTERGE KOLU	INDICATOR ARM	AISI 304
6	CONTA	GASKET	NBR	16	SETSKUR CİVATA	GRUB SCREW	AISI 304
7	CİVATA	BOLT	8,8 STEEL	17	HENDİL	HANDWHEEL	GG25
8	MİL	STEM	AISI 420/BRASS	18	SOMUN & PUL	NUT & WASHER	STEEL
9	ÜST KAPAK	LOCKING DEVICE	CuZn39Pb3	19	KÖR TAPA	PLUG	CuZn39Pb3
10	GÖSTERGE	INDICATOR	AISI 304				

DN	DN ₁	D	D ₁	k	k ₁	b	b ₁	L	L ₁	H	H ₁	Ødxn	Ød ₁ xn	G	KG
50	80	165	200	125	160	20	20	180	96	90	290	18x4	18x8	3/4"	12,5
65	100	185	220	145	180	20	22	200	107,5	100	295	18x4	18x8	3/4"	16
80	125	200	250	160	210	20	22	215	129	108	305	18x8	18x8	3/4"	20
100	150	220	285	180	240	22	24	250	145	130	340	18x8	22x8	1"	27,5
125	175	250	315	210	270	22	24	290	177	152	400	18x8	22x8	1"	37
150	200	285	340	240	295	24	26	330	199	176	425	22x8	22x8	1"	52

TEKNİK ÖZELLİKLER / TECHNICAL PROPERTY

DİZAYN / DESIGN: DIN HNA SR6
BAĞLANTILAR / ENDS: FLANŞ EN1092-3/A (DIN 2501) / FLANGES EN1092-3/A (DIN 2501)
ÇALIŞMA BASINCI / WORKING PRESSURE: PN4 to PN10
ÇALIŞMA SICAKLIĞI / WORKING TEMP.: -10°C / +60°C
FLANŞ SEÇENEKLERİ / FLANGE OPTIONS: ANSI VEYA JIS ÖZEL FLANŞ YAPILABİLİR.
SPECIAL FLANGE DRILLING ACC. TO ANSI OR JIS