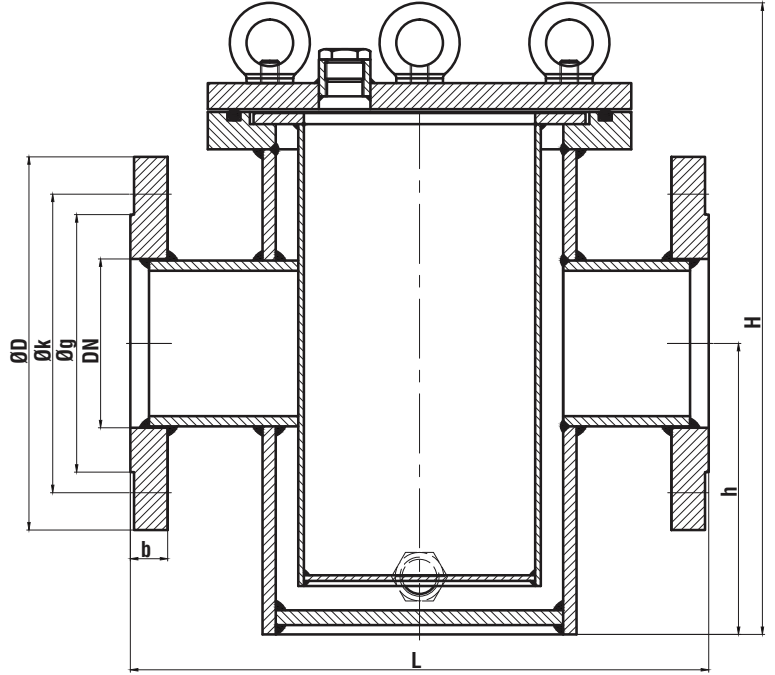




Deniz Suyu Filtresi / Sea Water Filter



NO	PARÇA ADI	PART NAME	MATERIAL
1	GÖVDE	BODY	ST42+GALVANISED
2	BORU	PIPE	ST42+GALVANISED
3	FLANŞ	FLANGE	ST42+GALVANISED
4	MANŞON	SLEEVE	AISI 304
5	KÖR TAPA	PLUG	Ms 58
6	SEPET	SCREEN	GAL. STEEL / AISI 316
7	ÜST FLANŞ	TOP FLANGE	ST42+GALVANISED

NO	PARÇA ADI	PART NAME	MATERIAL
8	O RİNG	O RING	NBR
9	ÜST KAPAK	TOP BONNET	ST42+GALVANISED
10	AYBOLT SOMUN	RING BOLT	SAE 1040
11	AYBOLT SOMUN	RING BOLT	SAE 1040

DN	ØD	Øk	Øg	L	b	h	H	Ødxn	KG
32	140	100	78	200	18	96	255	18x4	13
40	150	110	88	200	18	96	255	18x4	13
50	165	125	102	230	20	106	280	18x4	14,5
65	185	145	122	290	20	134	310	18x4	24
80	200	160	138	310	22	156	340	18x8	32
100	220	180	158	350	24	185	395	18x8	40
125	250	210	188	400	26	229	485	18x8	55
150	285	240	212	480	26	268	538	22x8	82
200	340	295	268	600	30	320	640	22x12	150
250	405	355	320	640	32	350	695	26x12	200
300	460	410	370	760	32	420	795	26x12	240
350	520	470	438	800	30	400	830	26x16	-
400	580	525	490	800	32	424	900	30x16	-
500	715	650	610	950	34	550	1130	33x20	-

UYGULAMA ALANLARI / APPLICATIONS

SİNTİNE SİSTEMLERİNDE, EMİŞ VE DEŞARJ HATTINDA, DENİZ SOĞUTMA SUYU BİLGE SYSTEMS, SUCTION AND DISCHARGE LINES, SEA COOLING WATER

TEKNİK ÖZELLİKLER / TECHNICAL PROPERTY

ÇALIŞMA BASINCI / WORKING PRESSURE: PN4
FLANŞ SEÇENEKLERİ / FLANGE OPTIONS: ANSI VEYA JIS ÖZEL
FLANŞ YAPILABİLİR.
SPECIAL FLANGE DRILLING ACC. TO ANSI OR JIS