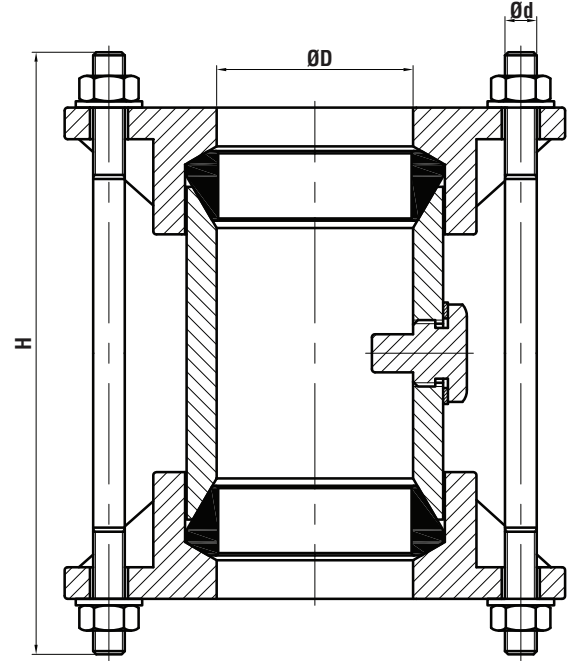




Boru Bağlama Kaplini (BV, TL, RMRS Tip Onaylı)

Pipe Coupling (BV, TL, RMRS Type Approved)



NO	PARÇA ADI	PART NAME	MATERIAL
1	GÖVDE	BODY	GGG40.3
2	BORU	PIPE	ST42
3	PUL	WASHER	COPPER
4	TAPA	PLUG	AISI 316
5	CONTA	GASKET	NBR
6	SAPLAMA	STUD	6.8 STEEL
7	SOMUN & PUL	NUT & WASHER	5.2 STEEL

DN	PN	ØD	H	Ødxn	KG
50	16	62	190	M10x4	5,35
65	16	79	190	M10x4	7,40
80	16	91	190	M10x4	7,85
100	16	117	190	M10x4	9,10
125	16	144	190	M10x6	12,00
150	16	171	210	M12x6	15,00
200	16	222	210	M12x8	20,00
250	16	276	220	M14x8	27,00
300	16	327	240	M14x10	32,00
350	6	360	290	M16x10	45,00
400	6	411	300	M18x10	-
450	6	461	300	M18x10	-
500	6	515	300	M18x10	-

UYGULAMA ALANLARI / APPLICATIONS

BALANS DEVRESİ / BALAST PIPE LINE

YANGIN DEVRESİ / FIRE PIPE LINE

ELEKTRİK KABLO DEVRESİ / ELECTRICAL PIPE LINE