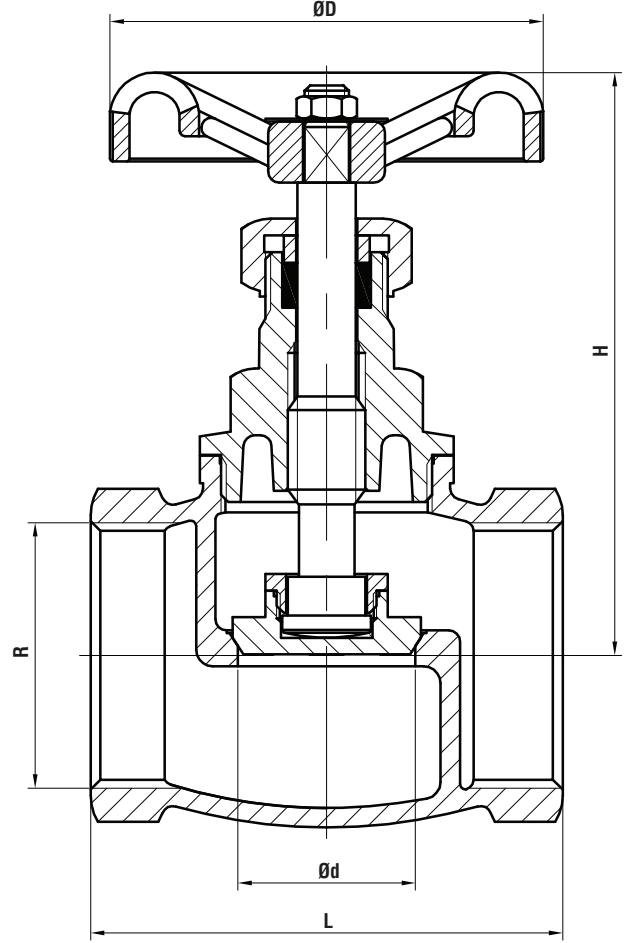


## Glob Vana (Bronz, Dişli) / Globe Valve (Bronze, Threaded)



NO	PARÇA ADI	PART NAME	MATERIAL
1	GÖVDE	BODY	RG5
2	KLAPE	DISC	RG5
3	MİL	STEM	CuZn39Pb3
4	EMNİYET PULU	DISC LOCK WASHER	CuZn39Pb3
5	KLAPE SOMUNU	DISC NUT	CuZn39Pb3
6	KAPAK	BONNET	RG5
7	SALMASTRA	PACKING	PTFE
8	RİNG	RING	CuZn39Pb3
9	SALMASTRA SOMUNU	PACKING NUT	CuZn39Pb3
10	HENDİL	HANDWHEEL	GG25
11	SOMUN & PUL	NUT & WASHER	CuZn39Pb3

DN	R	Ød	ØD	L	H	KG
15	1/2"	14	52	49	71	0,25
20	3/4"	14	60	56	73	0,35
25	1"	19	65	66	87	0,50
32	1 1/4"	24	70	74	95	0,70
40	1 1/2"	32	78	85	110	1
50	2"	38	92	100	124	1,60

### UYGULAMA ALANLARI / APPLICATIONS

DENİZ SUYU, TATLI SU, YAĞ, BUHAR  
SEA WATER, FRESH WATER, OIL, STEAM

### TEKNİK ÖZELLİKLER / TECHNICAL PROPERTY

ÇALIŞMA SICAKLIĞI / WORKING TEMP.: -10°C / +170°C  
ÇALIŞMA BASINCI / WORKING PRESSURE: PN16