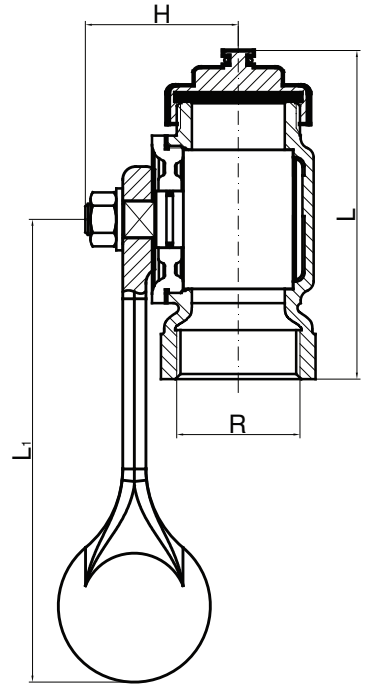
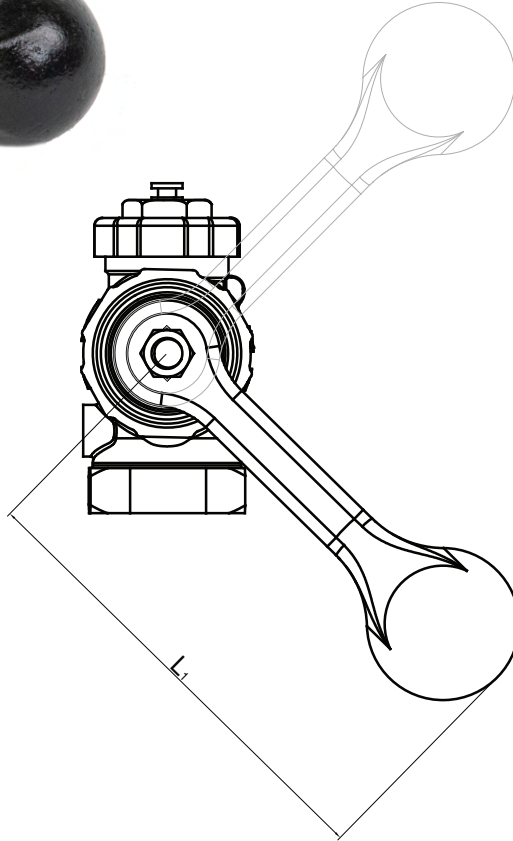




Ağırlıklı İskandil Vanası (Brons) / Sounding Cock (Bronze)



NO	PARÇA ADI	PART NAME	MATERIAL
1	GÖVDE	BODY	RG5
2	SİLİNDİR	CYLINDER	RG5
3	O RİNG	O RING	NBR
4	KAPAK	BONNET	RG5
5	KOL	LEVER	GGG 40,3
6	PUL& SOMUN	WASHER & NUT	AISI 316
7	TAPA	PLUG	RG5

NO	PARÇA ADI	PART NAME	MATERIAL
8	CONTA	GASKET	NBR
9	TEL	WIRE	AISI 304
10	TAHLİYE SUBABI	NOZZLE	CuZn39Pb3
11	BUTON	BUTTON	CuZn39Pb3
12	O RİNG	ORING	NBR
13	YAY	SPRING	SPRING STEEL C

DN	R	L	L ₁	H	KG
40	1 1/2"	130	180	60	2,8
50	2"	140	180	60	3

TEKNİK ÖZELLİKLER / TECHNICAL PROPERTY

ÇALIŞMA SICAKLIĞI / WORKING TEMP.: -10°C / +120°C
ÇALIŞMA BASINCI / WORKING PRESSURE: PN2,5