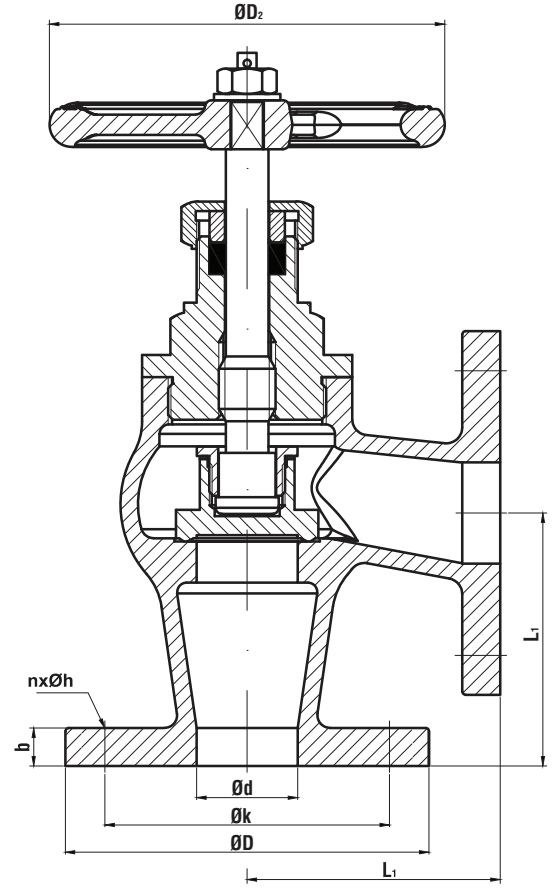




JIS Tip Glob Vana (Bronz, Gönye Tip) / JIS Type Globe Valve (Bronze, Angle Type)



| NO | PARÇA ADI | PART NAME | MATERIAL |
|----|--------------|------------------|-----------|
| 1 | GÖVDE | BODY | RG5 |
| 2 | KLAPE | DISC | RG5 |
| 3 | MİL | STEM | CuZn39Pb3 |
| 4 | EMNİYET PULU | DISC LOCK WASHER | CuZn39Pb3 |
| 5 | KLAPE SOMUNU | DISC NUT | CuZn39Pb3 |
| 6 | KAPAK | BONNET | RG5 |
| 7 | SALMASTRA | PACKING | GRAFITE |

| NO | PARÇA ADI | PART NAME | MATERIAL |
|----|------------------|--------------|-----------|
| 8 | RİNG | RING | CuZn39Pb3 |
| 9 | SALMASTRA SOMUNU | PACKING NUT | CuZn39Pb3 |
| 10 | KİLİTLEME PULU | LOCK PLATE | CuZn39Pb3 |
| 11 | VİDA | SCREW | CuZn39Pb3 |
| 12 | HENDİL | HANDWHEEL | GG25 |
| 13 | SOMUN & PUL | NUT & WASHER | CuZn39Pb3 |
| 14 | KOPILYA | SPLIT PIN | CuZn39Pb3 |

| ÖLÇÜ | Ød | FLANŞ JIS 5K | | | | | | | FLANŞ JIS 16K | | | | | ØD2 |
|------|----|--------------|-----|----|------|-----|-----|-----|---------------|----|------|-----|------|-----|
| | | ØD | Øk | b | nxØh | L1 | KG | ØD | Øk | b | nxØh | L1 | KG | |
| 15A | 15 | 80 | 60 | 9 | 4x12 | 55 | 1,9 | 95 | 70 | 12 | 4x15 | 70 | 2,7 | 80 |
| 20A | 20 | 85 | 65 | 10 | 4x12 | 60 | 2,7 | 100 | 75 | 14 | 4x15 | 75 | 3,6 | 100 |
| 25A | 25 | 95 | 75 | 10 | 4x12 | 65 | 3,5 | 125 | 90 | 14 | 4x19 | 85 | 5,2 | 125 |
| 32A | 32 | 115 | 90 | 12 | 4x15 | 80 | 4,7 | 135 | 100 | 16 | 4x19 | 95 | 6,5 | 125 |
| 40A | 40 | 120 | 95 | 12 | 4x15 | 85 | 5,5 | 140 | 105 | 16 | 4x19 | 100 | 7,6 | 140 |
| 50A | 50 | 130 | 105 | 14 | 4x15 | 100 | 9 | 155 | 120 | 16 | 8x19 | 120 | 11,3 | 160 |

UYGULAMA ALANLARI / APPLICATIONS

DENİZ SUYU, TATLI SU, YAĞ, BUHAR DEVRELERİ
SEA WATER, FRESH WATER, OIL, STEAM SYSTEM

TEKNİK ÖZELLİKLER / TECHNICAL PROPERTY

BAĞLANTILAR / ENDS: JIS F7301 5K / JIS F7303 16K
BOYUTLAR / DIMENSIONS: JIS F7400

ÇALIŞMA SICAKLIĞI / WORKING TEMP.: -10°C / +120°C

ÇALIŞMA BASINCI / WORKING PRESSURE: BODY 10.5 / SEAT 7.7 KG/CM²