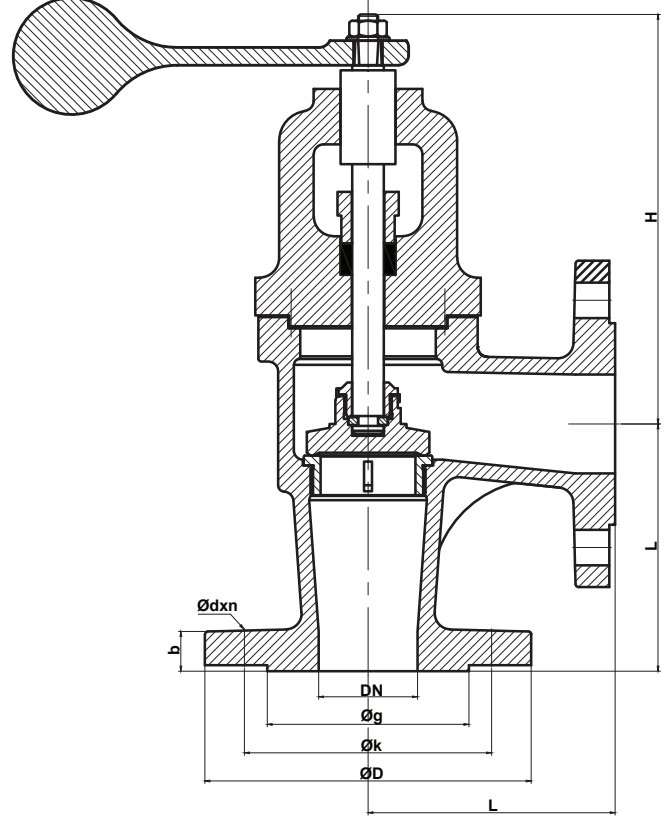


## Dreyn Vanası (Gönye Tip - Ağırıklı)

### Self Closing Valve (Angle Type - With Counter Weight)



NO	PARÇA ADI	PART NAME	MATERIAL	DN	ØD	Øk	Øg	L	b	H	Ødxn	KG
1	GÖVDE	BODY	GGG 40.3	15	115	85	65	160	16	192	14x4	7,3
2	SİT	SEAT	AISI 420 / BRONZE	20	115	85	65	160	16	192	14x4	7,4
3	MİL	STEM	AISI 420 / MS58	25	115	85	65	160	16	192	14x4	7,5
4	KAPAK	BONNET	GGG 40.3	32	140	100	76	180	18	201	18x4	8
5	KLAPE	DISC	RG5 / AISI 420	40	150	110	88	115	18	213	18x4	11,5
6	RİNG	RING	AISI 420	50	165	125	102	125	20	216	18x4	14
7	EMNİYET PULU	WASHER SAFETY	AISI 304	65	185	145	122	145	20	243	18x4	18,5
8	TESPİT VİDASI	SECURING SCREW	AISI 420									
9	BİLYA	BALLS	AISI 304									
10	CONTA	GASKET	KLINGRIT									
11	SETUSKUR	GRUB SCREW	STEEL									
12	SALMASTRA	PACKING	GRAPHITE									
13	GLEN	GLAND	GGG40.3									
14	T CİVATA	T BOLT	6.8 STEEL									
15	CİVATA	BOLT	8.8 STEEL									
16	GRESÖRLÜK	LUBRICATING	STEEL									
17	AĞIRLIK	WEIGHT	GG25									
18	SOMUN & PUL	NUT & WASHER	STEEL									

#### UYGULAMA ALANLARI / APPLICATIONS

FUEL OIL, YAĞLAMA YAĞI , YANICI OLMAYAN AKIŞKANLAR  
HİDROLİK AKIŞKAN, DENİZ SUYU VE TATLI SU  
FUEL OIL ,LUBRICATING OIL, NON FLAMMABLE FLUIDS,  
HYDRAULIC FLUID,SEA WATER AND FRESH WATER

#### TEKNİK ÖZELLİKLER / TECHNICAL PROPERTY

ÇALIŞMA ŞARTLARI / WORKING CONDITIONS : DIN 2401  
BAĞLANTILAR / ENDS DIN 1092-2  
ÇALIŞMA SICAKLIĞI /WORKING TEMP -10 / +220 °C  
ÇALIŞMA BASINCI / WORKING PRESSURE: PN16 FACE  
TO FACE DIMENSIONS: TS EN 558-1