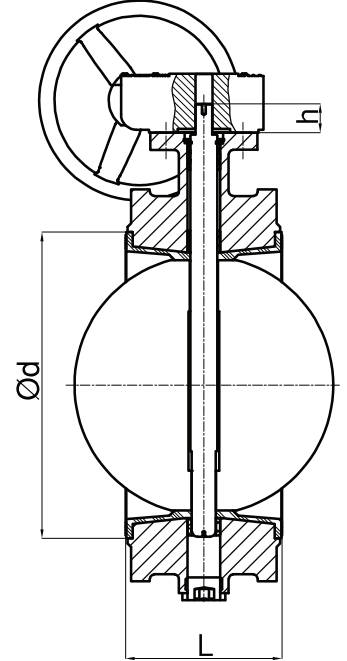
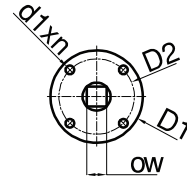
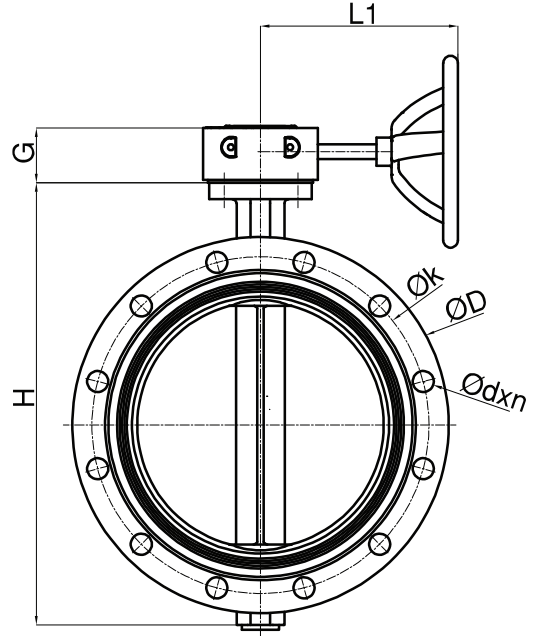




Çift Flanşlı Kelebek Vana / Double Flanged Butterfly Valve



| NO | PARÇA ADI | PART NAME | MATERIAL |
|----|--------------|---------------|------------------|
| 1 | GÖVDE | BODY | GGG40/RG5-10 |
| 2 | UZUN BURÇ | LONG BUSHING | PTFE |
| 3 | MİL | STEM | AISI416/BRASS |
| 4 | CONTA | GASKET | NBR/EPDM |
| 5 | KLAPÉ | DISC | SS316/ALU-BRONZE |
| 6 | KISA BURÇ | SHORT BUSHING | PTFE |
| 7 | O RING | O RING | NBR/EPDM |
| 8 | PUL | WASHER | GR.33 |
| 9 | SEGMAN | CIRCLIP | GR.33 |
| 10 | DİŞLİ KUTUSU | GEAR BOXES | GGG40 |
| 11 | CİVATA | BOLT | STEEL |

| DN | ØD | Øk | H | d | L | L1 | Ødxn | D1 | D2 | W | Ød1xn | h | G | KG |
|------|------|------|------|------|-----|-----|-------|-----|-----|----|-------|----|-----|------|
| 40 | 150 | 110 | 201 | 80 | 110 | 160 | 18x4 | 65 | 50 | 9 | 7x4 | 23 | 70 | 10 |
| 50 | 165 | 125 | 203 | 99 | 112 | 160 | 18x4 | 65 | 50 | 9 | 7x4 | 23 | 70 | 11 |
| 65 | 185 | 145 | 223 | 118 | 116 | 160 | 18x8 | 65 | 50 | 9 | 7x4 | 23 | 70 | 13,5 |
| 80 | 200 | 160 | 245 | 132 | 118 | 160 | 18x8 | 65 | 50 | 9 | 7x4 | 23 | 70 | 14 |
| 100 | 220 | 180 | 269 | 156 | 127 | 160 | 18x8 | 90 | 70 | 11 | 10x4 | 23 | 70 | 17,5 |
| 125 | 250 | 210 | 295 | 184 | 140 | 160 | 18x8 | 90 | 70 | 14 | 10x4 | 25 | 70 | 22 |
| 150 | 285 | 240 | 333 | 211 | 140 | 160 | 22x8 | 90 | 70 | 14 | 10x4 | 25 | 70 | 25,5 |
| 200 | 340 | 295 | 375 | 266 | 152 | 160 | 22x12 | 125 | 102 | 17 | 12x4 | 30 | 75 | 39,5 |
| 250 | 405 | 355 | 433 | 319 | 165 | 255 | 26x12 | 125 | 102 | 22 | 12x4 | 38 | 75 | 52,5 |
| 300 | 460 | 410 | 503 | 370 | 178 | 260 | 26x12 | 125 | 102 | 22 | 12x4 | 38 | 75 | 67 |
| 350 | 520 | 470 | 589 | 429 | 190 | 260 | 26x16 | 150 | 125 | 22 | 12x4 | 44 | 75 | 91 |
| 400 | 580 | 525 | 640 | 480 | 216 | 310 | 30x16 | 175 | 140 | 27 | 18x4 | 50 | 90 | 141 |
| 450 | 640 | 585 | 720 | 530 | 222 | 310 | 30x20 | 175 | 140 | 27 | 18x4 | 52 | 90 | 182 |
| 500 | 715 | 650 | 785 | 582 | 229 | 310 | 33x20 | 175 | 140 | 36 | 18x4 | 57 | 90 | 200 |
| 600 | 780 | 725 | 940 | 720 | 267 | 256 | 31x20 | 210 | 165 | 36 | 22x4 | 70 | 125 | 350 |
| 700 | 895 | 840 | 1070 | 794 | 292 | 337 | 31x24 | 300 | 254 | 46 | 18x8 | 66 | 149 | 375 |
| 800 | 1015 | 950 | 1150 | 871 | 318 | 359 | 33x24 | 300 | 254 | 46 | 18*8 | 66 | 155 | 400 |
| 900 | 1115 | 1050 | 1323 | 1001 | 330 | 359 | 34x28 | 300 | 254 | 60 | 18x8 | 90 | 155 | 700 |
| 1000 | 1230 | 1160 | 1425 | 1080 | 410 | 359 | 36x28 | 300 | 254 | 60 | 18*8 | 90 | 155 | 850 |

UYGULAMA ALANLARI / APPLICATIONS

SU, DENİZ SUYU, ATIK SU, HAVA, YAĞ, TOZ, GAZ, vb.
WATER, SEA WATER, WASTE WATER, AIR, OIL, GAS, etc.

TEKNİK ÖZELLİKLER / TECHNICAL PROPERTY

BAĞLANTILAR / ENDS: 1092-2

ÇALIŞMA BASINCI / WORKING PRESSURE: PN16

ÇALIŞMA SICAKLIĞI / WORKING TEMP.

NBR: -10°C / +82°C

EPDM: -10°C / +110°C