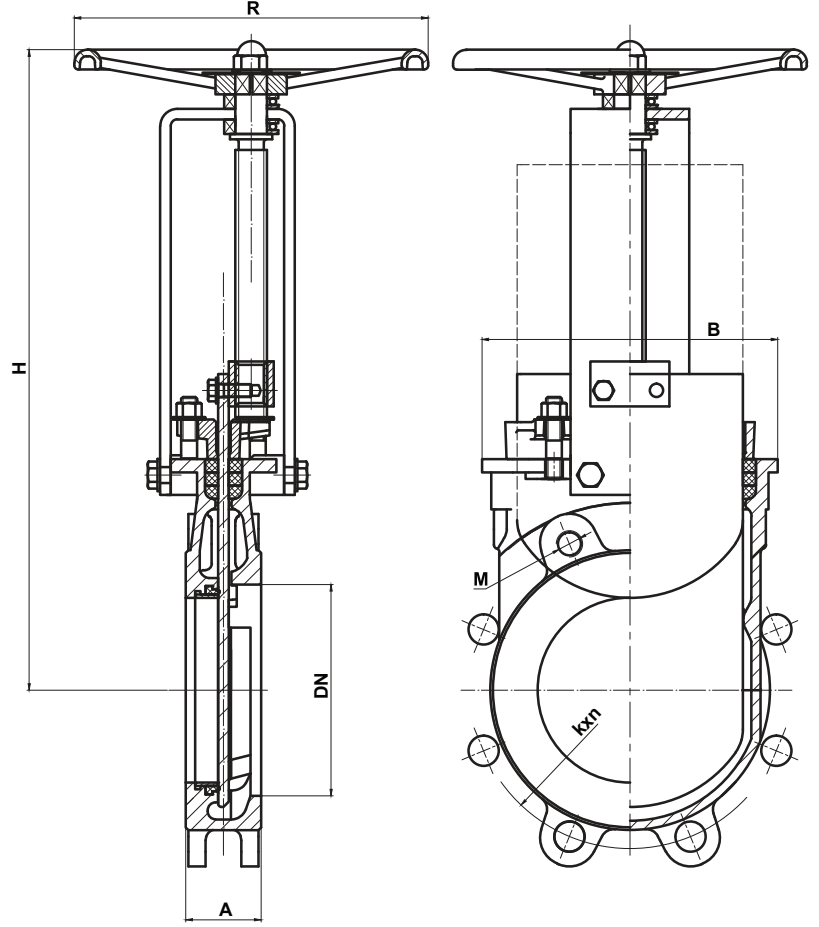
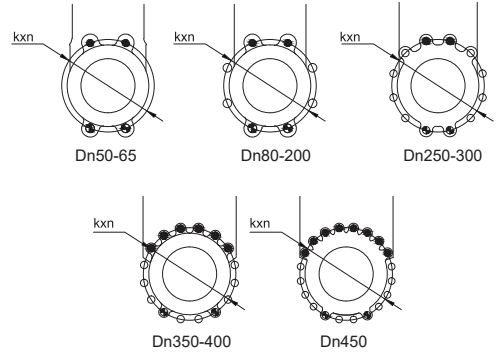




Bıçaklı Sürgülü Vana QB Tip / Knife Gate Valve QB Type



NO	PARÇA ADI	PART NAME	MATERIAL
1	GÖVDE	BODY	WCB ,CF8,CF8M,CF3,CF3M
2	SÜRGÜ	GATE	2Cr13,304,316,316L
3	MİL SOMUNU	STEM NUT	BRASS
4	MİL	STEM	2Cr13,304,316,316L
5	SALMASTRA	PACKING	PTFE
6	GLEN	GLAND	WCB ,CF8,CF8M,CF3,CF3M
7	HALKA	RING	EPDM , NBR , Viton
8	RULMAN	BEARING	GCr9
9	HENDİL	HANDWHEEL	MALLEABLE
10	PUL	WASHER	304
11	SOMUN	NUT	304
12	BOYUNLUK	YOKE	Q235A, 304, 316, 316L



- Blind hole thread / Vida dişi açılmış delik
- Through hole / Boş delik
- Drilling through / Delik

UYGULAMA ALANLARI / APPLICATIONS

LİFLİ AKIŞKANLAR , ATIK SU , SICAK SU , SOĞUK SU , ASİT VE ALKALİN ÖZELLİĞİ OLMAYAN AKIŞKANLAR / WASTE WATER , HOT-COLD WATER , FLUID EXCLUDING ACID ETC. PAPER , CHEMICAL , MEDICINE , OIL INDUSTRY ETC.

BAĞLANTILAR / ENDS : EN1092-2
ÇALIŞMA BASINCI / WORKING PRESSURE : PN10

DN	A	H	R	B	kxn	M	●	⊕	⊖	KG
50	43	320	180	130	125x4	M16	2	0	2	7,5
65	46	340	180	150	145x4	M16	2	0	2	8,5
80	46	370	220	176	160x8	M16	2	4	2	11
100	52	410	240	192	180x8	M16	2	4	2	13
125	56	460	240	221	210x8	M16	2	4	2	17
150	56	510	280	225	240x8	M20	2	4	2	22
200	60	590	300	283	295x8	M20	2	4	2	33
250	68	700	340	350	350x12	M20	4	6	2	48
300	78	803	340	402	400x12	M20	4	6	2	60
350	92	899	400	454	460x16	M20	6	8	2	83
400	102	1020	450	500	515x16	M24	6	8	2	109
450	114	1100	530	564	615x20	M24	8	10	2	145