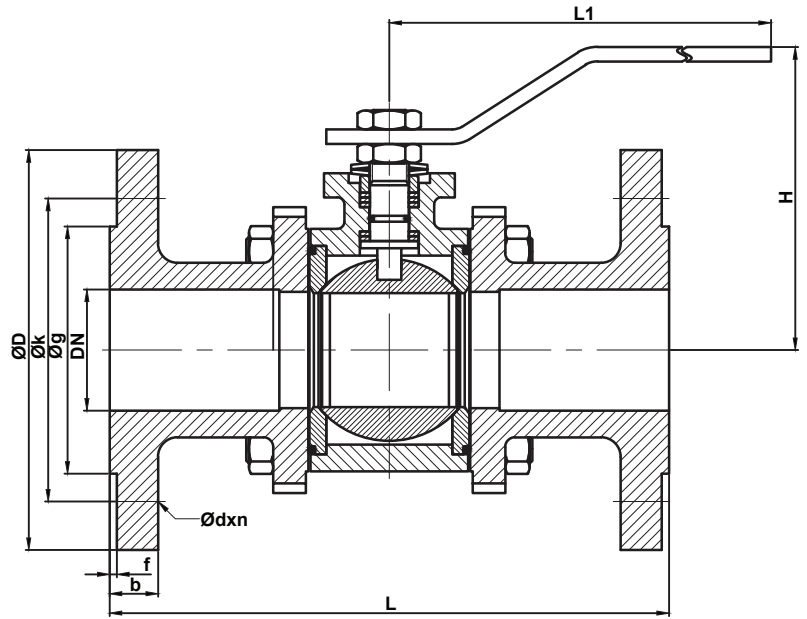
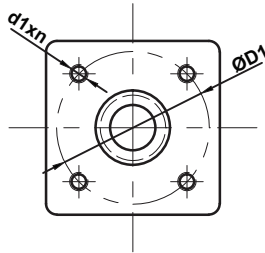
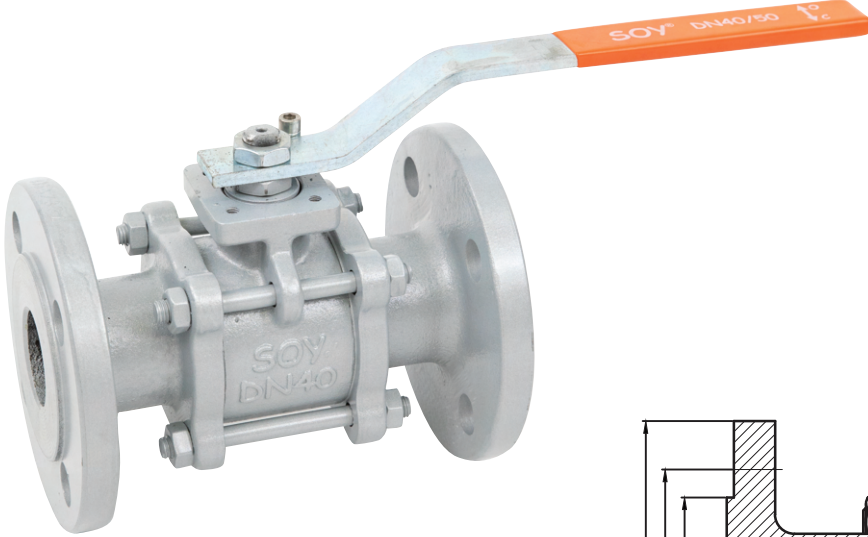




Küresel Vana (3 Parçalı, Flanşlı, Tepe Flanşlı) Ball Valve (3 PCS Body, Flanged, W/Mounting Pad)



NO	PARÇA ADI	PART NAME	MATERIAL
----	-----------	-----------	----------

1	GÖVDE	BODY	GGG40.3/BRONZE
2	KEP	CAP	GGG40.3/BRONZE
3	KÜRE	BALL	1.4301/1.4021
4	MİL	STEM	1.4021
5	KÜRE TEFLONU	BALL GASKET	PTFE
6	CONTA	GASKET	KLINGERIT
7	MİL TEFLONU	STEM GASKET	PTFE
8	O RİNG	O-RING	VİTON
9	BASKI RİNGİ	RING	1.0718
10	ÇANAK PUL	DISC SPRING	50CrV4
11	KONTRA SOMUN	JAM NUT	5.6 GAL. ST.
12	SAPLAMA	STUD BOLT	CK 35
13	SOMUN	HEX NUT	5.6 GAL. ST.
14	STOPLAMA PİMİ	STOPPER PIN	1.0718
15	BOLT	BOLT	1.4301
16	KOL	HANDLE	ST37

DN	ØD	Øk	Øg	L	b	f	H	L1	Ødxn	ØD1	Ød1xn
15	95	65	45	130	14	2	75	150	14x4	36	M5x4
20	105	75	58	150	16	2	85	150	14x4	36	M5x4
25	115	85	68	160	16	2	87	180	14x4	42	M5x4
32	140	100	78	180	18	2	95	180	18x4	42	M5x4
40	150	110	88	200	18	3	118	275	18x4	50	M6x4
50	165	125	102	230	20	3	125	275	18x4	50	M6x4
65	185	145	122	290	20	3	145	320	18x4	70	M8x4
80	200	160	138	310	22	3	156	360	18x8	70	M8x4
100	220	180	158	350	24	3	175	450	18x8	70	M8x4
125	250	210	188	400	26	3	210	450	18x8	102	M10x4
150	285	240	212	480	26	3	248	650	22x8	102	M10x4
200	340	295	268	600	30	3	280	900	22x12	102	M10x4

UYGULAMA ALANLARI / APPLICATIONS

SU, SICAK SU, KIZGIN SU, BASINÇLI HAVA, YANICI OLMAYAN GAZLAR, ENDÜSTRİYEL UYGULAMALAR
WATER, HOT WATER, SUPERHEATED WATER, NON-FLAMMABLE GASES, INDUSTRIAL APPLICATIONS

BAĞLANTI/ENDS: EN 1092-2

ALINDAN ALINA BOYUTLAR: EN 558-1

TESTLER / TESTS : TS EN 12266-1

ISO 5211 TEPE FLANŞLI / WITH ISO 5211 MOUNTING PAD