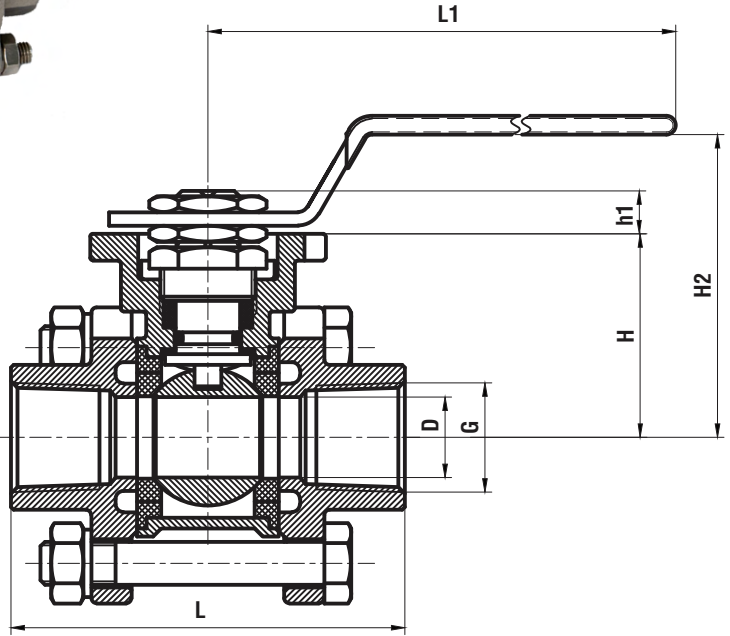
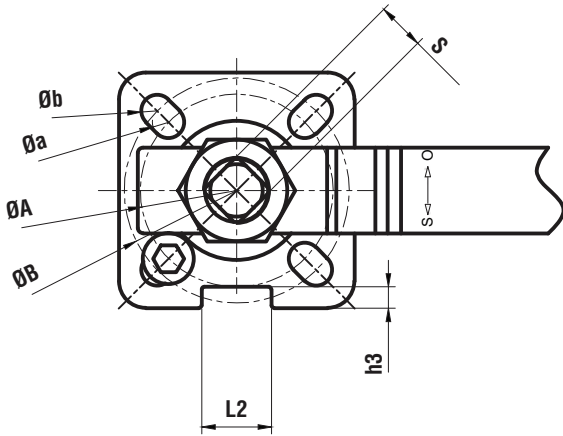




Küresel Vana (3 Parçalı, Paslanmaz, Dişli, Tepe Flanşlı) Ball Valve (3 PCS Body, St. Steel, Threaded, W/Mounting Pad)



NO	PARÇA ADI	PART NAME	MALZEME/MATERIAL
1	GÖVDE	BODY	AISI 316
2	KEP	CAP	AISI 316
3	PUL	BOLT WASHER	AISI 304
4	SOMUN	HEX NUT	AISI 304
5	CIVATA	BOLT	AISI 304
6	SİT	SEAT	PTFE
7	KÜRE	BALL	AISI 316
8	MİL	STEM	AISI 316
9	SIKIŞTIRMA PULU	THRUST WASHER	PTFE
10	ORİNG	O-RING	VITON
11	SALMASTRA	PACKING	PTFE
12	GLEN	GLAND	AISI 304
13	SOMUN	NUT	AISI 304
14	KOL	HANDLE	ST. STEEL

DN	G	D	L	S	h1	H	H2	L1	Øa	Øb	ØA	ØB	L2	h3
8	1/4"	10.5	73	9	8	38	60	130	6	6	36	42	13	4
10	3/8"	12	73	9	8	38	60	130	6	6	36	42	13	4
15	1/2"	15	75	9	8	38	60	130	6	6	36	42	13	4
20	3/4"	20	80	9	10	46	70	160	6	6	36	42	13	4
25	1"	25	90	11	12	55	85	175	6	7	42	50	14	5
32	1 1/4"	32	110	11	12	59	90	175	6	7	42	50	14	5
40	1 1/2"	38	120	14	16	71	105	180	7	9	50	70	16	6
50	2"	49	140	14	16	79	115	180	7	9	50	70	16	6
65	2 1/2"	65	185	17	19	95	145	210	9	11	70	102	22	8
80	3"	80	205	17	19	107	155	240	9	11	70	102	22	8
100	4"	98	240	17	19	126	175	314	9	11	70	102	22	8

UYGULAMA ALANLARI / APPLICATIONS

SU, YAĞ, GAZ VE DİĞER AKIŞKANLAR / WATER, OIL, GAS AND OTHERS

TEKNİK ÖZELLİKLER / TECHNICAL PROPERTY

BAĞLANTILAR / ENDS: DIN 2999, BSP DİŞLİ / THREADED
BOYUTLAR / DIMENSIONS: DIN3202-M3
ÇALIŞMA SICAKLIĞI / WORKING TEMP.: -20°C / +232°C
ÇALIŞMA BASINCI / WORKING PRESSURE: PN63
ISO 5211 TEPE FLANŞLI / WITH ISO 5211 MOUNTING PAD