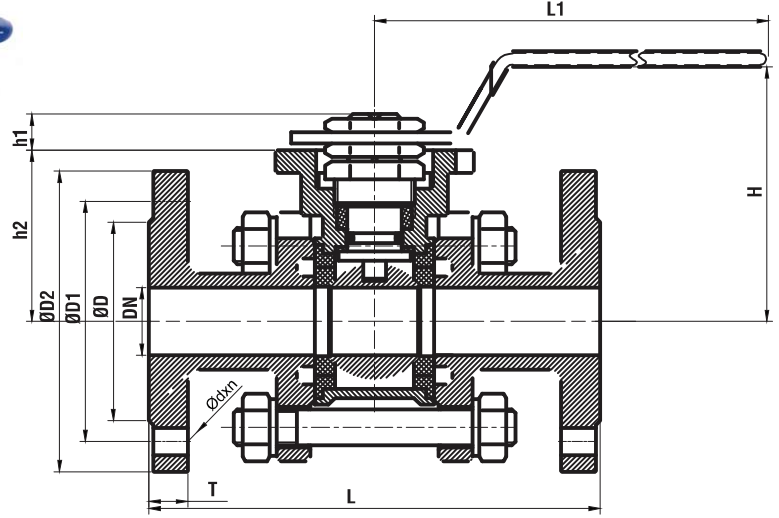
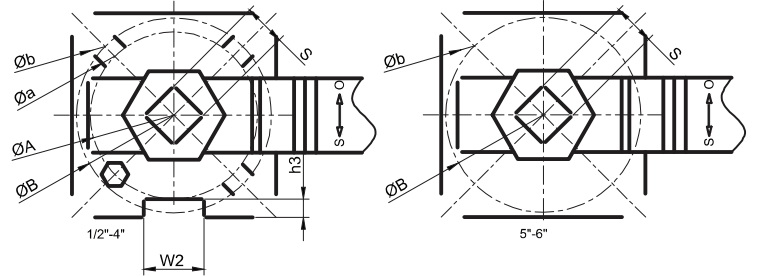




## Küresel Vana (3 Parçalı, Paslanmaz, Flanşlı, Tepe Flanşlı) Ball Valve (3 PCS Body, St.Steel, Flanged, W/Mounting Pad)



NO	PARÇA ADI	PART NAME	MALZEME/MATERIAL
1	GÖVDE	BODY	AISI 316
2	KEP	CAP	AISI 316
3	PUL	BOLT WASHER	AISI 304
4	SOMUN	HEX NUT	AISI 304
5	CİVATA	BOLT	AISI 304
6	SİT	SEAT	PTFE
7	KÜRE	BALL	AISI 316
8	MİL	STEM	AISI 316
9	SIKIŞTIRMA PULU	THRUST WASHER	PTFE
10	ORİNG	O-RING	VITON
11	SALMASTRA	PACKING	PTFE
12	GLEN	GLAND	AISI 304
13	SOMUN	NUT	AISI 304
14	KOL	HANDLE	ST. STEEL



DN	R	D	D1	D2	T	L	L1	H	Ødxn	S	h1	h2	a	b	A	B	W2	h3	KG
15	1/2"	45	65	95	18	130	125	75	14x4	9	8	38	6	6	36	42	13	4	2.21
20	3/4"	58	75	105	18	150	125	85	14x4	9	10	46	6	6	36	42	13	4	2.79
25	1"	68	85	115	18	160	125	95	14x4	11	12	55	6	7	42	50	14	5	3.65
32	1 1/4"	78	100	140	20	180	135	100	18x4	11	12	59	6	7	42	50	14	5	5.75
40	1 1/2"	88	110	145	21	200	165	100	18x4	14	16	71	7	9	50	70	16	6	6.90
50	2"	102	125	165	23	230	170	135	18x4	14	16	79	7	9	50	70	16	6	9.46
65	2 1/2"	122	145	185	25	290	170	135	18x4	17	19	95	9	11	70	102	22	8	15.20
80	3"	138	160	200	27	310	240	135	18x8	17	19	107	9	11	70	102	22	8	20.20
100	4"	162	190	235	27	350	245	140	22x8	17	19	126	9	11	70	102	22	8	30.50
125	5"	188	220	270	29	400	750	-	26x8	22	23	147	-	8.60	-	102	-	-	46.00
150	6"	218	250	300	31	480	750	-	26x8	22	23	162	-	8.60	-	102	-	-	61.00

### UYGULAMA ALANLARI / APPLICATIONS

SU, YAĞ, HAVA VE KOROZİF ETKİSİ OLAN AKIŞKANLAR  
WATER, OIL, AIR AND SOME CORROSIVE LIQUIDS

### TEKNİK ÖZELLİKLER / TECHNICAL PROPERTY

BAĞLANTILAR / ENDS: DIN 2545-2000 / FLANGED  
BOYUTLAR / DIMENSIONS: DIN 3205 - F1  
ÇALIŞMA SICAKLIĞI / WORKING TEMP.: -20°C / +180°C  
ÇALIŞMA BASINCI / WORKING PRESSURE: PN40  
ISO 5211 TEPE FLANŞLI / WITH ISO 5211 MOUNTING PAD