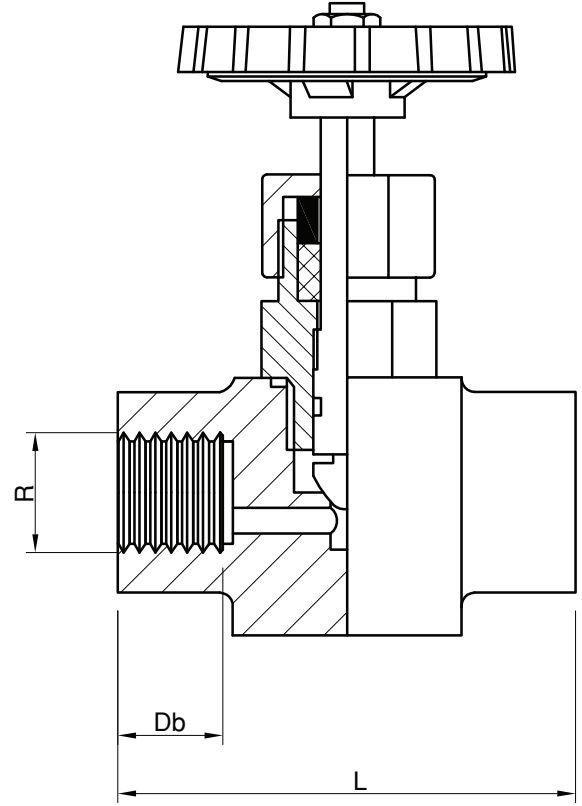


İğne Vana (Karbon Çelik) / Needle Valve (Carbon Steel)



NO	PARÇA ADI	PART NAME	MATERIAL
1	GÖVDE	BODY	CARBON STEEL
2	KAPAK	BONNET	CARBON STEEL
3	BASKI SOMUNU	PRESSURE RING	S.STEEL
4	MİL	STEM	S.STEEL
5	KLEPE	DISC	S.STEEL
6	BOĞAZ CONTASI	STEM GASKET	PTFE
7	BASKI RİNGİ	GASKET WASHER	CARBON STEEL
8	KAPAK CONTASI	BONNET GASKET	PTFE
9	HENDİL	HANDWHEEL	ALUMINIUM

DN	R	L	Db
8	1/4"	45	11
10	3/8"	50	11
15	1/2"	60	15
20	3/4"	70	17
25	1"	85	20
32	1 1/4"	95	22
40	1 1/2"	110	22
50	2"	120	25

UYGULAMA ALANLARI / APPLICATIONS

SU, YAĞ, BUHAR, BASINÇLI HAVA, YANICI OLMAYAN GAZLAR
WATER, OIL, STEAM, COMPRESSED AIR, NON-COMBUSTIBLE
GASES

TEKNİK ÖZELLİKLER / TECHNICAL PROPERTY

BAĞLANTILAR / ENDS: EN10226-1
BOYUTLAR / DIMENSIONS: DIN 3205 - F1
ÇALIŞMA SICAKLIĞI / WORKING TEMP.: -30°C / +250°C
ÇALIŞMA BASINCI / WORKING PRESSURE: PN250
FACE TO FACE: EN 558-1
TEST: EN12666-1