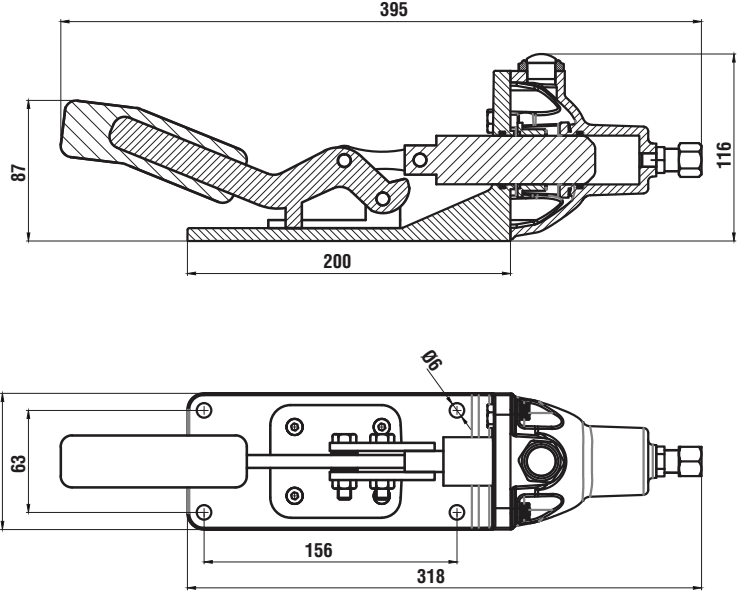
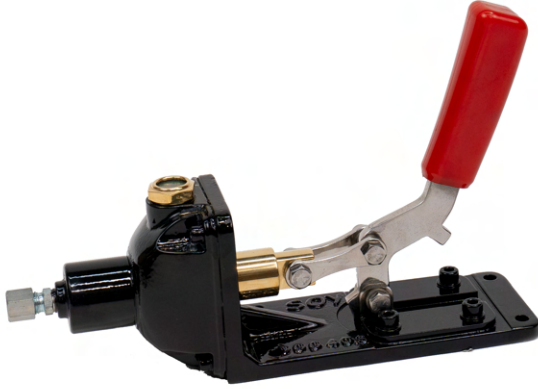




## Hidrolik Ani Kapama Kolu / Hydraulic Remote Control



| NO | PARÇA ADI      | PART NAME | MATERIAL     |
|----|----------------|-----------|--------------|
| 1  | GÖVDE          | BODY      | GGG40.3      |
| 2  | ŞASI           | CHASSIS   | GGG40.3      |
| 3  | O-RİNG         | O-RING    | NBR          |
| 4  | BURÇ           | BUSH      | Cu Zn 39 Pb3 |
| 5  | SİLİNDİR       | CYLINDER  | St 37        |
| 6  | KOL            | LEVER     | St 37        |
| 7  | CİVATA         | BOLT      | St 37        |
| 8  | TAPA           | PLUG      | AISI 304     |
| 9  | YAĞ GÖSTERGESİ | OIL EYE   | Glass        |
| 10 | SOMUN          | NUT       | St 37        |

### UYGULAMA ALANLARI / APPLICATIONS

HİDROLİK OLARAK ÇALIŞTIRILAN VANALARIN UZAKTAN KUMANDASI  
İÇİN HİDROLİK POMPA ÜNİTESİ  
HYDRAULIC PUMP UNIT FOR REMOTE CONTROL OF HYDRAULICALLY  
OPERATED VALVES

### TAVSİYE YAĞLAR / RECOMMENDED OILS

SHELL TELLUS T15/T22