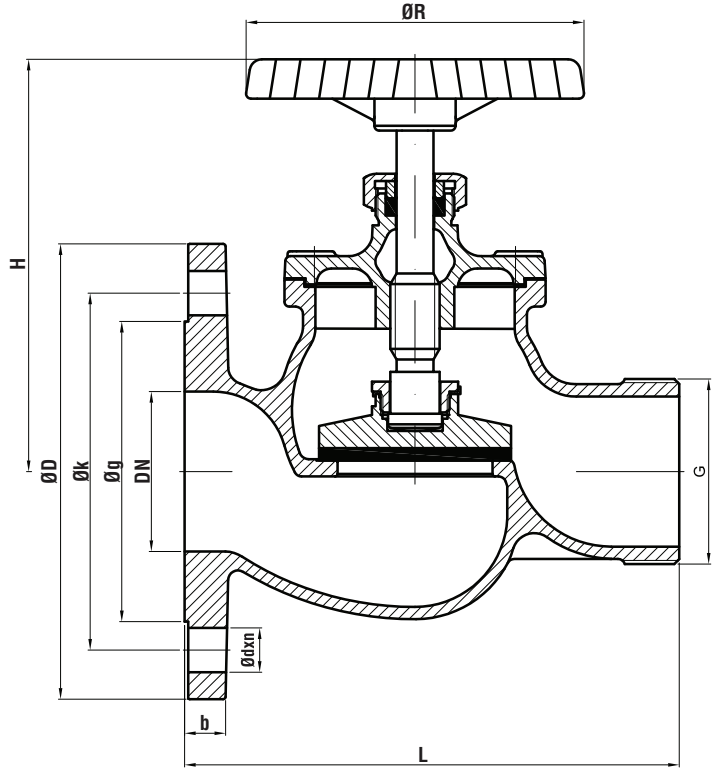
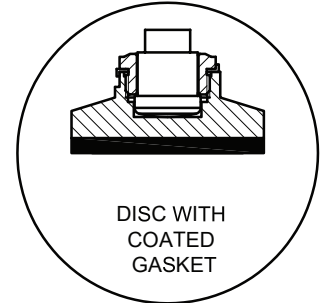
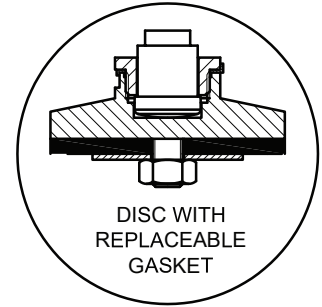


Yangın Vanası (Düz Tip, Bronz, Flanşlı) / Fire Hose Valve (Straight, Bronze, Flanged)



NO	PARÇA ADI	PART NAME	PART NAME
1	GÖVDE	BODY	RG5
2	KLAPE	DISC	RG5
3	MİL	STEM	CuZn39Pb3 (Ms58)
4	SETUSKUR CİVATA	SET SCREW	8.8 STEEL
5	KLAPE CONTASI	DISC GASKET	EPDM
6	SOMUN&PUL	NUT&WASHER	8.8 STEEL
7	CONTA	GASKET	KLINGRIT
8	KAPAK	BONNET	RG5
9	CİVATA	BOLT	CuZn39Pb3 (Ms58)
10	SALMASTRA	PACKING	GRAPHITE
11	SALMASTRA BASKISI	PACKING PRESS	CuZn39Pb3 (Ms58)
12	SALMASTRA SOMUNU	PACKING NUT	CuZn39Pb3 (Ms58)
13	HENDİL	HAND WHEEL	GG25
14	CİVATA & PUL	BOLT & WASHER	8.8 STEEL



DN	ØD	Øk	Øg	b	Ødxn	L	H	ØR	G	KG
40	150	110	88	18	18x4	150	130	110	R 1 1/2"	5,4
50	165	125	102	20	18x4	165	140	140	R 2"	6,8
65	185	145	122	20	18x4	200	160	140	R 2 1/2"	9

UYGULAMA ALANLARI / APPLICATIONS

SU / WATER

TEKNİK ÖZELLİKLER / TECHNICAL PROPERTY

ÇALIŞMA SICAKLIĞI / WORKING TEMP.: -10°C / +120°C
ÇALIŞMA BASINCI / WORKING PRESSURE: PN16