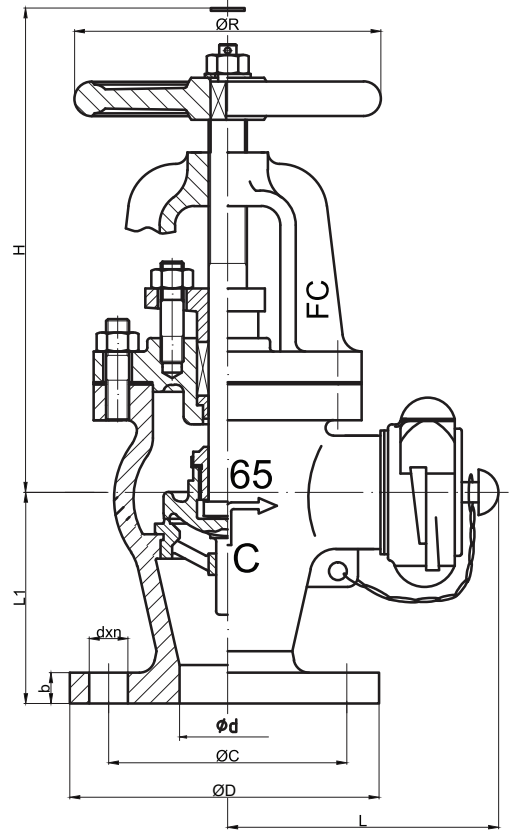




JIS Tip Yangın Vanası (Gönye Tip) / JIS Type Fire Hose Valve (Angle Type)



NO	PARÇA ADI	PART NAME	MALZEME / MATERIAL
1	GÖVDE	BODY	GG 25
2	KAPAK	BONNET	CuZn40
3	SALMASTRA	PACKING	CuZn40
4	GLEN	GLAND	2Cr13
5	KAPAK	COVER	GG 25
6	MİL	STEM	AlSi 420
7	KLAPE SOMUNU	DISC NUT	2Cr13
8	CONTA	GASKET	2Cr13
9	KLAPE	DISC	2Cr13
10	SİT	SEAT	2Cr13
11	SOMUN	NUT	St 37
12	ÇİVATA	BOLT	St 37
13	SOMUN	NUT	St 37
14	ÇİVATA	BOLT	St 37
15	SALMASTRA	GRAPHITE PACKING	Graphite
16	MİL CONTASI	ASBESTOS FREE	Graphite
17	HENDİL	HANDWHELL	GG 25
18	RONDELA	WASHER	St 37
19	SOMUN	NUT	St 37
20	KOPILYA	SPLIT PIN	STEEL

ÖLÇÜ	Ød	FLANŞ JIS 5K								FLANŞ JIS 10K									
		ØD	Øk	b	H	L	L1	nx	ØR	KG	ØD	Øk	b	H	L	L1	dxn	ØR	KG
50	50	130	105	16	240	155	100	4x15	160	13	155	120	20	255	170	110	4x19	160	17
65	65	155	130	18	270	175	130	4x15	200	17	175	140	22	270	185	130	4x19	200	24

UYGULAMA ALANLARI / APPLICATIONS

DENİZ SUYU ve TATLI SU / THE PRODUCTS ARE USED FOR FIRE CONTROL WITH SEA WATER FOR SHIPPING.
THE FLANGE DIMENTIONS ARE ACCORDING TO JIS B2220 STANDART OF STEEL PIPE.