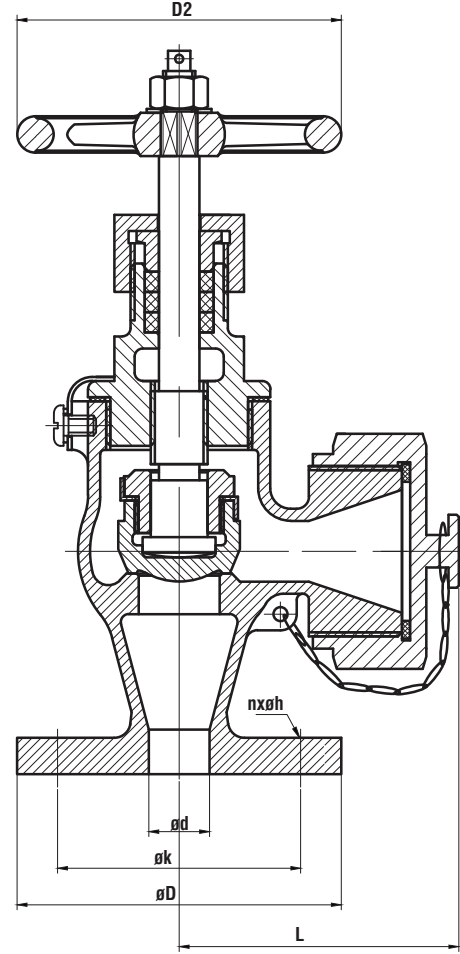


JIS Tip Yangın Vanası (Bronz, Gönye Tip)

JIS Type Fire Hose Valve (Bronze, Angle Type)



| NO | PARÇA ADI | PART NAME | MATERIAL |
|----|--------------|------------------|-----------|
| 1 | GÖVDE | BODY | RG5 |
| 2 | KAPAK | BONNET | RG5 |
| 3 | KLAPE | DISC | RG5 |
| 4 | KLAPE SOMUN | DISC NUT | CuZn39Pb3 |
| 5 | GLEN | GLAND | CuZn39Pb3 |
| 6 | MİL | STEM | CuZn39Pb3 |
| 7 | EMNİYET PULU | DISC LOCK WASHER | CuZn39Pb3 |
| 8 | CİVATA | BOL | STEEL |
| 9 | CİVATA | BOLT | STEEL |
| 10 | SALMASTRA | PACKING | GRAPHITE |

| NO | PARÇA ADI | PART NAME | MATERIAL |
|----|-----------|-----------|-------------|
| 11 | CONTA | GASKET | Klingrit |
| 12 | SOMUN | NUT | STEEL |
| 13 | ZİNCİR | CHAIN | AISI 420 |
| 14 | PUL | WASHER | STEEL |
| 15 | KAPAK | BONNET | ZCuSn5Pb5nb |
| 16 | HENDİL | HANDWHEEL | GG 20 |
| 17 | PUL | WASHER | STEEL |
| 18 | SOMUN | NUT | STEEL |
| 19 | KOPİLYA | SPLIT PIN | CuZn39Pb3 |

FLANŞ JIS 5K

| ÖLÇÜ | ød | FLANŞ JIS 5K | | | | | | FLANŞ JIS 10K | | | | | | | |
|------|----|--------------|-----|----|------|-----|-----|---------------|-----|-----|----|------|-----|-----|------|
| | | øD | øk | b | nxøh | L | øD2 | KG | øD | øk | b | nxøh | L | øD2 | KG |
| 15A | 15 | 80 | 60 | 9 | 4x12 | 68 | 80 | 2,4 | 95 | 70 | 12 | 4x15 | 73 | 80 | 2,8 |
| 25A | 25 | 95 | 75 | 10 | 4x12 | 78 | 125 | 3,5 | 125 | 90 | 14 | 4x19 | 83 | 125 | 4 |
| 40A | 40 | 120 | 95 | 12 | 4x15 | 124 | 140 | 6 | 140 | 105 | 16 | 4x19 | 124 | 140 | 8,2 |
| 50A | 50 | 130 | 105 | 14 | 4x15 | 155 | 160 | 11 | 155 | 120 | 16 | 4x19 | 160 | 160 | 14,3 |
| 65A | 65 | | | | | | | | 175 | 140 | 18 | 4x19 | 180 | 200 | 23 |

UYGULAMA ALANLARI / APPLICATIONS

DENİZ SUYU ve TATLI SU / THE PRODUCTS ARE USED FOR FIRE CONTROL WITH SEA WATER FOR SHIPPING.