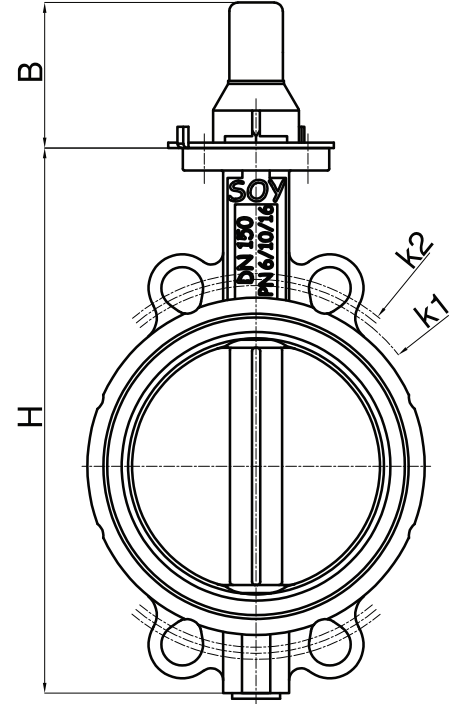


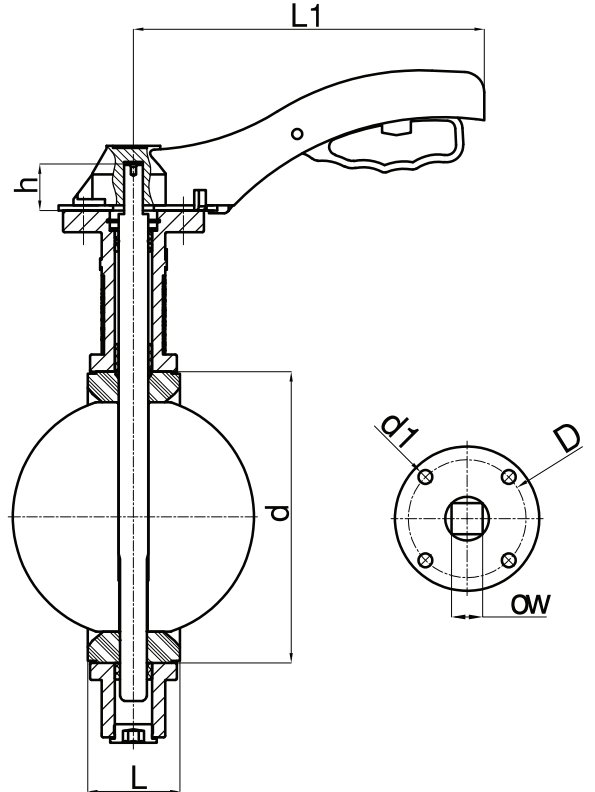


Wafer Tip Kelebek Vana / Wafer Type Butterfly Valve (DN25-DN200)



NO	PARÇA ADI	PART NAME	MALZEME/MATERIAL
1	GÖVDE	BODY	GG25/GGG40/WCB/RG5-10/SS316
2	UZUN BURÇ	LONG BUSHING	PTFE
3	MİL	STEM	AISI 420/BRASS
4	CONTA	GASKET	NBR/VITON/PTFE/EPDM/NR/SİLİKON/SBR
5	KLAPE	DISC	ALU-BRONZE/SS316/DI/SS304
6	KISA BURÇ	SHORT BUSHING	PTFE
7	O RİNG	O RING	NBR/VITON
8	PUL	WASHER	GR.33
9	SEGMAN	CIRCLIP	GR.33
10	KOL	LEVER	ST42 / ALUMINIUM
11	CİVATA	BOLT	STEEL

DN	H	L1	D	d1	W	L	d	h	B	PN6	PN10	PN16	KG
										Øk1	Øk2	Øk3	
25	198	172	50	7	9	35	62	23	68	85	100	100	1,6
32	198	172	50	7	9	35	62	23	68	90	100	100	1,8
40	198	172	50	7	9	35	72	23	68	100	110	110	2,1
50	198	172	50	7	9	46	76	23	68	110	125	125	2,4
65	218	172	50	7	9	49	89	23	68	130	145	145	2,9
80	233	172	50	7	9	49	104	23	68	150	160	160	3,3
100	270	218	70	10	11	55	135	23	82	170	180	180	4,9
125	303	218	70	10	14	59	159	25	82	200	210	210	6,2
150	340	218	70	10	14	59	188	25	82	225	240	240	7,5
200	400	322	102	12	17	64	238	36	84	280	295	295	13,8



UYGULAMA ALANLARI / APPLICATIONS

SU, DENİZ SUYU, ATIK SU, HAVA, YAĞ, TOZ, GAZ, vb.
WATER, SEA WATER, WASTE WATER, AIR, OIL, GAS, etc.

TEKNİK ÖZELLİKLER / TECHNICAL PROPERTY

BAĞLANTILAR / ENDS: 1092-2
ÇALIŞMA BASINCI / WORKING PRESSURE: PN16

ÇALIŞMA SICAKLIĞI / WORKING TEMP.

NBR: -10°C / +82°C
EPDM: -10°C / +110°C
PTFE: -20°C / +150°C
VITON: -20°C / +150°C
NR: -20°C / +82°C