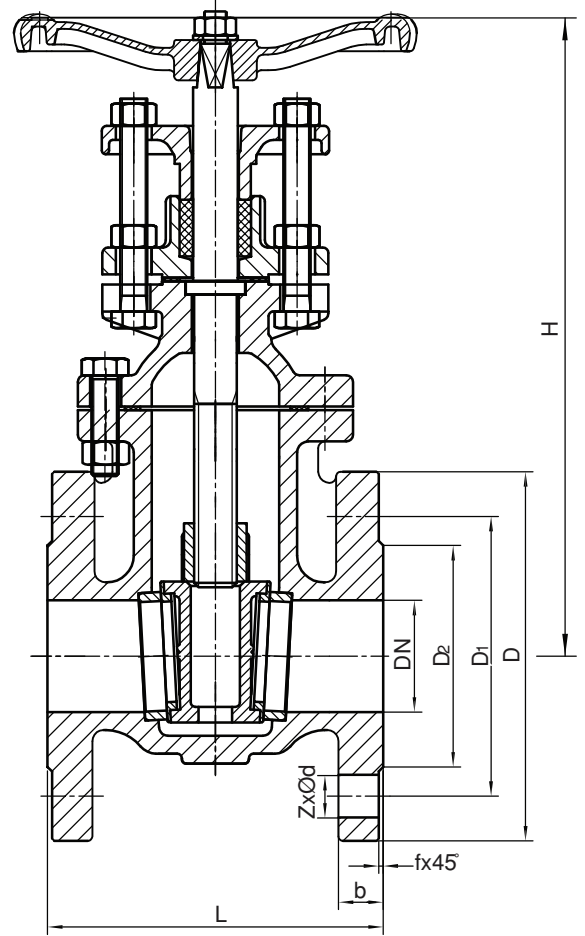
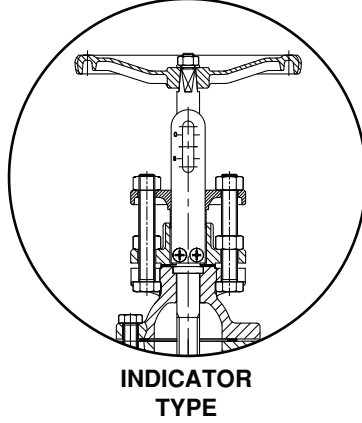


## Sürgülü Vana Yükselmeyen Milli F4 / Gate Valve - NRS Type F4



NO	PARÇA ADI	PART NAME	MATERIAL
1	GÖVDE	BODY	GGG40
2	SİT	SEAT	BRONZE
3	KLAPE RİNGİ	DISC RING	BRONZE
4	KLAPE	DISC	GGG40
5	MİL SOMUNU	STEM NUT	BRASS
6	SOMUN	NUT	STEEL
7	CONTA	GASKET	GRAPHITE
8	CIVATA	BOLT	STEEL
9	MİL	STEM	AISI 420
10	KAPAK	BONNET	GGG40
11	GLEN	GLAND	GGG40
12	PUL	WASHER	STEEL
13	HENDİL	HANDWHEEL	GGG40
14	SALMASTRA	PACKING	GRAPHITE

DN	L	D	D1	D2	b-f	Z-Ød	H
50	150±2	165	125	99	20-2	4-Ø19	288.5
65	170±2	185	145	118	20-2	4-Ø19	305.5
80	180±2	200	160	132	22-2	8-Ø19	332
100	190±2	220	180	156	24-2	8-Ø19	379
125	200±2	250	210	184	26-2	8-Ø19	419.5
150	210±2	285	240	211	26-2	8-Ø23	484.5
200	230±2	340	295	266	20-2	12-Ø23	590
250	250±2	405	355	319	22-2	12-Ø28	706.5
300	270±2	460	410	370	28-4	12-Ø28	807

### UYGULAMA ALANLARI / APPLICATIONS

SICAK VE SOĞUK SU SİSTEMLERİ / HOT AND COLD WATER  
SYSTEMS SIVI YAKIT TESİSATLARI / LIQUID FUEL INSTALLATION  
ASİT VE ALKALİ ÖZELLİĞİ BULUNMAYAN YANICI OLMAYAN  
AKIŞKANLAR FLUID EXCLUDING ACID & NON-FLAMMABLE FLUIDS

### TEKNİK ÖZELLİKLER / TECHNICAL PROPERTY

BAĞLANTILAR / ENDS: DIN 1092-2  
ÇALIŞMA SICAKLIĞI / WORKING TEMP.: -10°C / +100°C  
ÇALIŞMA BASINCI / WORKING PRESSURE: PN16  
FACE TO FACE DIMENSIONS: TS EN 558-1-14  
TESTLER / TESTS: TS EN12266-1