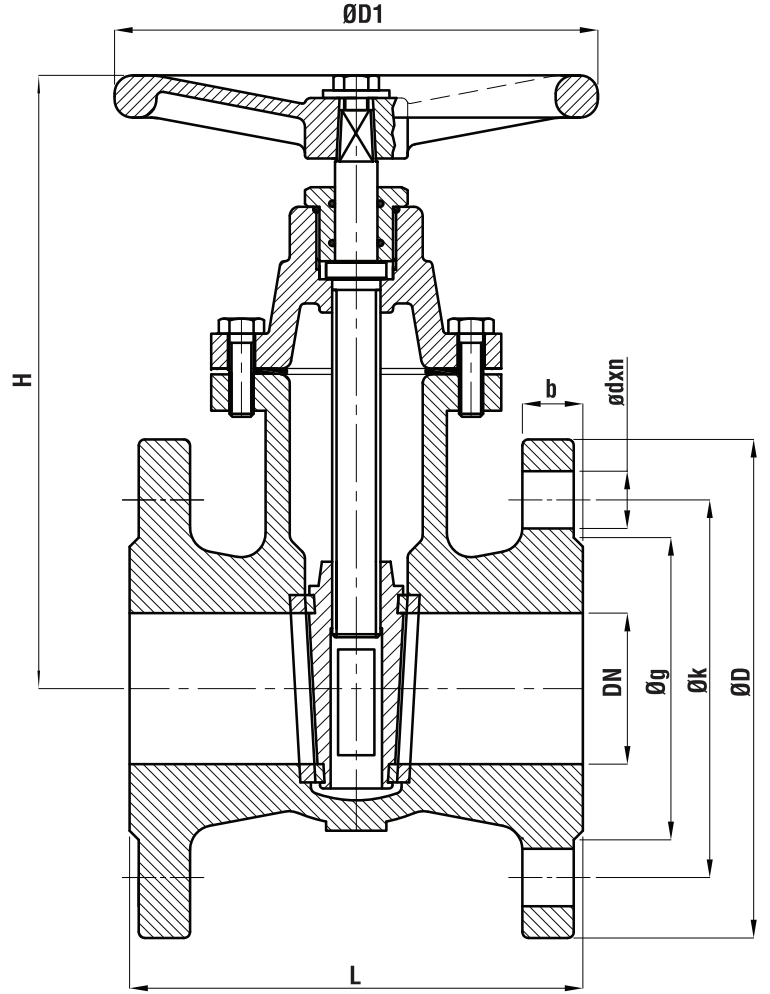


## Sürgülü Vana PN10/16 (DIN 3216) / Gate Valve PN10/16 (DIN3216)



NO	PARÇA ADI	PART NAME	MATERIAL
1	GÖVDE	BODY	GG25/GGG40/RG5-10
2	SİT	SEAT	BRASS / BRONZE
3	SÜRGÜ	WEDGE	GG25/GGG40/RG5-10
4	MİL	STEM	STAINLESS STEEL/MS58
5	CONTA	GASKET	NBR/VITON
6	KAPAK	BONNET	GG25/GGG40/RG5-10
7	HENDİL	HANDWHEEL	GG20/RG5-10

DN	L	H	ØD <sub>1</sub>	PN10					KG
				ØD	Øk	Øg	b	Ødxn	
40	140	185	160	150	110	84	18	19x4	9
50	150	190	160	165	125	99	20	19x4	10
65	170	210	160	185	145	118	20	19x4	14.4
80	180	235	160	200	160	132	22	19x8	16.7
100	190	265	200	220	180	156	24	19x8	22.2
125	200	350	250	250	210	184	26	19x8	36
150	210	380	250	285	240	211	26	23x8	46
200	230	490	315	340	295	266	26	23x8	80
250	250	615	315	395	350	319	28	23x12	125
300	270	700	315	445	400	370	28	23x12	170

### UYGULAMA ALANLARI / APPLICATIONS

SICAK VE SOĞUK SU SİSTEMLERİ / HOT AND COLD WATER SYSTEMS  
SIVI YAKIT TESİSATLARI / LIQUID FUEL INSTALLATION  
ASİT VE ALKALİ ÖZELLİĞİ BULUNMAYAN YANICI OLMAYAN AKIŞKANLAR  
FLUID EXCLUDING ACID & NON-FLAMMABLE FLUIDS

### TEKNİK ÖZELLİKLER / TECHNICAL PROPERTY

BAĞLANTILAR / ENDS: DIN 1092-2  
ÇALIŞMA SICAKLIĞI / WORKING TEMP.: -10°C / +120°C  
ÇALIŞMA BASINCI / WORKING PRESSURE: PN10  
FACE TO FACE DIMENSIONS: TS EN 558-1  
TESTLER / TESTS: TS EN12266-1