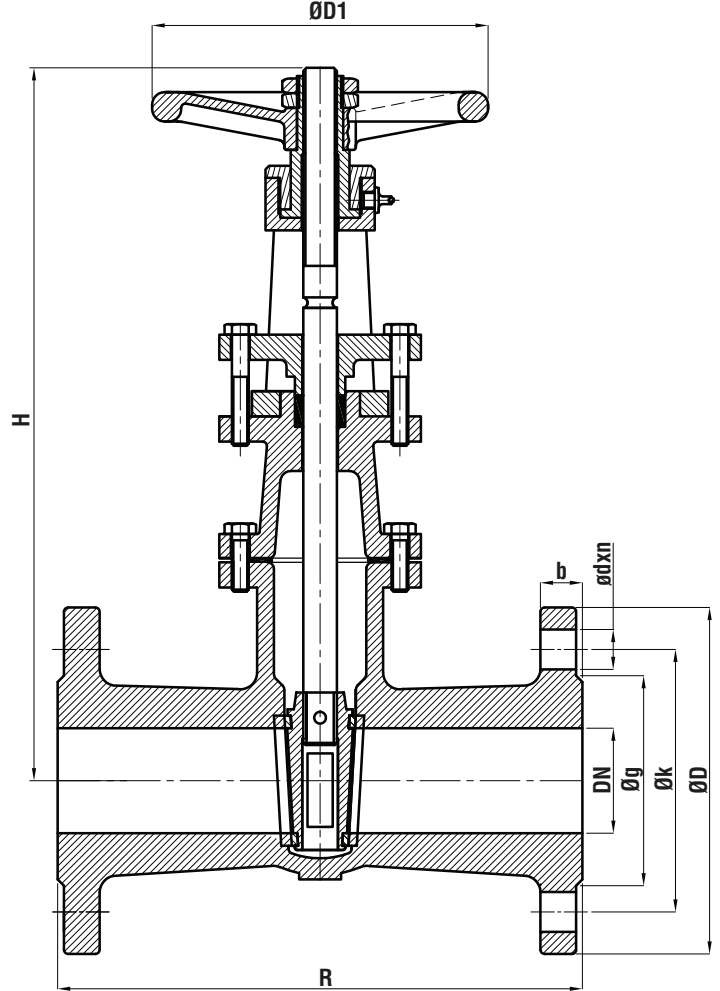
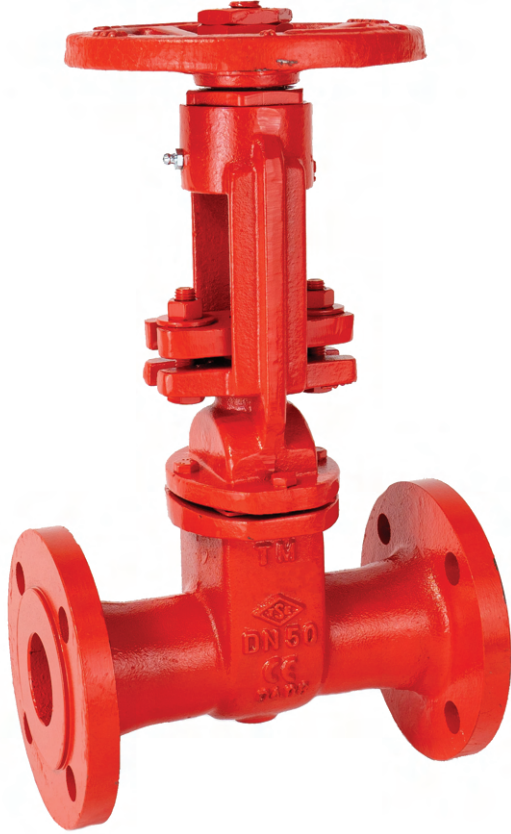


## Yükselen Milli Sürgülü Vana PN16 (DIN3225) Gate Valve With Rising Stem PN16 (DIN3225)



NO	PARÇA ADI	PART NAME	MATERIAL
1	GÖVDE	BODY	GG25 / GGG40.3
2	SİT	SEAT	BRASS / BRONZE
3	SÜRGÜ	WEDGE	GG25 / GGG40.3
4	MİL	STEM	STAINLESS STEEL
5	CONTA	GASKET	NBR
6	KAPAK	BONNET	GG25 / GGG40.3
7	ÜST KAPAK	TOP BONNET	GG25 / GGG40.3
8	HENDİL	HANDWHEEL	GG20

DN	L	H <sub>min.</sub>	H <sub>max.</sub>	ØD <sub>1</sub>	PN16						KG
					ØD	Øk	Øg	b	Ødxn		
40	240	357	433	160	150	110	84	18	Ø19x4	16	
50	250	362	435	160	165	125	99	20	Ø19x4	17,8	
65	270	374	448	160	185	145	118	20	Ø19x4	22,4	
80	280	408	523	160	200	160	132	22	Ø19x8	25,4	
100	300	464	585	200	220	180	156	24	Ø19x8	31,6	
125	325	555	686	250	250	210	184	26	Ø19x8	51	
150	350	603	728	250	285	240	211	26	Ø23x8	64	
200	400	802	1017	315	340	295	266	30	Ø23x12	104	
250	450	945	1230	315	405	355	319	32	Ø28x12	188	
300	500	1100	1410	315	460	410	370	32	Ø28x12	266	

### UYGULAMA ALANLARI / APPLICATIONS

SICAK VE SOĞUK SU SİSTEMLERİ / HOT AND COLD WATER SYSTEMS  
SIVI YAKIT TEŞİSATLARI / LIQUID FUEL INSTALLATION  
ASİT VE ALKALİ ÖZELLİĞİ BULUNMAYAN YANICI OLMAYAN AKIŞKANLAR FLUID EXCLUDING ACID & NON FLAMMABLE FLUIDS

### TEKNİK ÖZELLİKLER / TECHNICAL PROPERTY

BAĞLANTILAR / ENDS: DIN EN 1092-2  
FACE TO FACE DIMENSIONS: TS EN 558-1  
ÇALIŞMA SICAKLIĞI / WORKING TEMP.: -10°C / +120°C  
ÇALIŞMA BASINCI / WORKING PRESSURE: PN10  
TESTLER / TEST: TS EN 12266-1