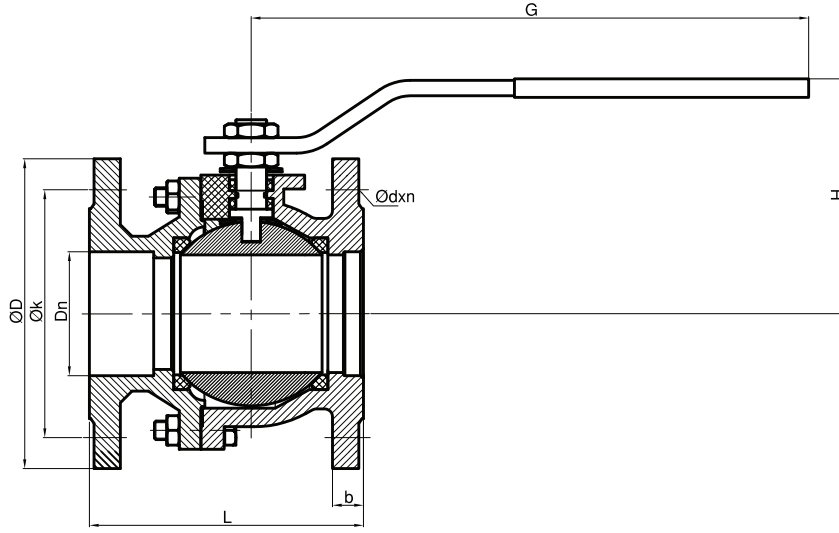


Flanşlı Küresel Vana F4 / Flanged Ball Valve F4



NO	PARÇA ADI	PART NAME	MATERIAL	DN	L	H	G	ØD	b	Øk	Ødxn	KG
1	GÖVDE	BODY	GG25/GGG40/RG5-10	40	140	130	265	150	18	110	18x4	7,5
2	KAPAK	COVER	GG25/GGG40/RG5-10	50	150	140	265	165	20	125	18x4	10
3	KÜRE	BALL	I.0144/BRONZE	65	170	145	265	185	20	145	18x4	13
4	HAREKET MİLİ	ACTION SPINLE	I.4021	80	180	175	375	200	22	160	18x8	18
5	KÜRE SIZDIR. TEFL.	BALL TIGH. ELM.	PTFE	100	190	190	375	220	22	180	18x8	22
6	GÖVDE SIZDIR. TEFL.	BODY TIGH. ELM.	PTFE	125	325	240	580	250	24	210	18x8	40
7	BOĞAZ SIZDIR. TEFL.	NECK TIGH. ELM.	PTFE	150	350	280	680	285	24	240	22x8	53
8	MİL O RİNGİ	SPINDLE O RING	VITON	200	400	350	850	340	26	295	22x12	
9	BASKI RİNGİ	PRESSURE RING	MS 58	250	450	420	950	395	28	350	26x12	
0	ÇANAK PUL	BOWL WASHER	50 CrV 4									
1	KONTRA SOMUN	COUNTER NUT	5,6 Gal.									
12	CİVATA	BOLT	St 42									
13	STOPLAMA PİMİ	STOPPING PIN	St 42 Gal.									
14	CİVATA	BOLT	St 42 Gal.									
15	KÜRE HAREKET KOLU	BALL ACTION HANDLE	St 37									
16	PLASTİK KAPLAMA	PLASTIC COVERING	PVC									

UYGULAMA ALANLARI / APPLICATIONS

SICAK SU, SOĞUK SU, KIZGIN SU, DÜŞÜK BASINÇLI BUHAR,
ASİT VE ALKALİN ÖZELLİĞİ BULUNMAYAN AKIŞKANLAR
HOT WATER, COLD WATER, SUPERHEATED WATER, LOW PRESSURE
STEAM ETC.

TEKNİK ÖZELLİKLER / TECHNICAL PROPERTY

BAĞLANTILAR / ENDS: DIN EN 1092-2
FACE TO FACE DIMENSIONS: EN 558-1
ÇALIŞMA BASINCI / WORKING PRESSURE: PN10/PN16
TEST: EN 12266-1